



STATIONARY DAVIT CRANE

CAPTAIN[®] 4000 SERIES



thern.com
(507) 454-2996

CAPTAIN® 5FT40

STATIONARY DAVIT CRANE



MASSIVE LIFTING POWER with Extensive Reach

The 5FT40 Captain Series stationary davit crane is designed for heavy loads up to 5,500 pounds (2,500 kg) and extended reach (ten feet). It also features a maximum hook height of 12 feet. The integral slewing drive withstands large axial, radial, and moment loads while allowing 360 degrees of smooth and easy rotation. A screw jack comes standard for boom angle adjustments. To ease operation and speed productivity, specify an optional power winch or the optional hydraulic boom angle adjustment—or both! Stainless-steel hardware and corrosion-resistant finishes, including an epoxy-based safety-yellow, resist wear in harsh environments. The 5FT40 is perfect for wind energy, marine, construction, water/wastewater, and oil and gas applications.

360° Rotation & Flexible Operation

- Standard with manually operated slewing drive enhances smooth, 360-degree mast rotation under extreme loads for precise load placement
- Standard screw jack for easy boom angle adjustment
- Optional hydraulic boom adjustment package (includes cylinder, hand pump, and control valve) for boom angle adjustments while under load (5FT40H)

Crane Features & Configurations

- Telescoping boom and adjustable boom angles accommodate a variety of applications
- Choose from manual, drill-drive, or powered winch (electric, pneumatic, or hydraulic motors) operation to accommodate a variety of light or heavy loads and speeds. DC motors and various voltage AC motors available
- Standard recommended rope size is 3/8–1/2 inch based on your lifting requirements
- Configurable to meet European CE and ATEX standards



Product Shown:
5FT40-E2

STANDARD CONFIGURATIONS

| Series | IMPERIAL/METRIC | |
|------------|--|----------------------|
| | Description | Up To Capacity |
| 5FT40-M1 | Red-enamel crane and ratchet jack with M452B-K spur gear hand winch | 5,500 lbs / 2,500 kg |
| 5FT40-M2 | Red-enamel crane with 2W40V-BM-K worm gear hand winch and ratchet jack | 5,500 lbs / 2,500 kg |
| 5FT40X-M2X | Gray-epoxy crane with 2W40VEGRA-BMX-K worm spur gear hand winch and ratchet jack | 5,500 lbs / 2,500 kg |
| 5FT40-E2 | Red-enamel crane with 3WG4B-K electric winch and ratchet jack | 5,500 lbs / 2,500 kg |
| 5FT40X-E2X | Gray-epoxy crane with 3WG4B-KX electric winch and ratchet jack | 5,500 lbs / 2,500 kg |
| 5FT40-E3 | 4HWF6M electric winch—see tech pages for winch options | 5,500 lbs / 2,500 kg |
| 5FT40X-E3 | Gray-epoxy 4HWF6M electric winch—see tech pages for winch options | 5,500 lbs / 2,500 kg |

All configurations available with 5FT40H crane excluding M1

Durable Construction & Finish

- Boom, mast, and base are fabricated from heavy-duty steel that limits deflection and meets ASTM standards
- Corrosion-resistant finishes and stainless-steel fasteners resist the elements and harsh environments for long service life
- Standard red-enamel finish, optional galvanized, or epoxy (gray, safety-yellow, or custom-color) finishes are available



NOTICE: These products are not for lifting people or things over people.

Refer to technical pages for detailed performance information.

TECHNICAL DRAWINGS & SPECIFICATIONS

CAPTAIN® 4000

STATIONARY DAVIT CRANE

CONFIGURATIONS

| Model | Description | Approx. Ship Wt. | |
|--|--|------------------|------|
| | | (lb) | (kg) |
| Popular Configurations | | | |
| 5FT40-M1 | up to 5,500 lb capacity with M452B-K spur gear hand winch and black defender-coated ratchet jack—red-enamel crane | 1,101 | 500 |
| 5FT40-M2 | up to 5,500 lb capacity with 2W40V-BM-K worm gear hand winch and black defender-coated ratchet jack—red-enamel crane | 1,146 | 520 |
| 5FT40X-M2X | up to 5,500 lb capacity with 2W40V-BMX-K worm spur gear hand winch and black defender-coated ratchet jack—gray-epoxy crane | 1,146 | 520 |
| 5FT40-E2 | up to 5,500 lb capacity with 3WG4B-K electric winch and black defender-coated ratchet jack—red-enamel crane | 1,216 | 550 |
| 5FT40X-E2X | up to 5,500 lb capacity with 3WG4B-KX electric winch and black defender-coated ratchet jack—gray-epoxy crane | 1,216 | 550 |
| *All configurations available with 5FT40H crane excluding M1 | | | |
| Crane Only | | | |
| 5FT40 | up to 5,500 lb capacity—black defender-coated ratchet jack—red-enamel crane | 1,024 | 460 |
| 5FT40G | up to 5,500 lb capacity—black defender-coated ratchet jack—galvanized crane | 1,024 | 460 |
| 5FT40X | up to 5,500 lb capacity—black defender-coated ratchet jack—gray-epoxy crane | 1,024 | 460 |
| 5FT40H | up to 5,500 lb capacity—hydraulic jack—red-enamel crane | 1,064 | 480 |
| 5FT40HG | up to 5,500 lb capacity—hydraulic jack—galvanized crane | 1,064 | 480 |
| 5FT40HX | up to 5,500 lb capacity—hydraulic jack—gray-epoxy crane | 1,064 | 480 |
| Winch Only | | | |
| M1 | M452B-K spur gear hand winch only—clear zinc coating-(Not available for use with the 5FT40H crane) | 91 | 40 |
| M1X | M452BEGRA-K spur gear hand winch only—gray-epoxy finish-(Not available for use with the 5FT40H crane) | 91 | 40 |
| M2 | 2W40V-BM-K worm gear hand winch only—powder-coat finish | 141 | 60 |
| M2X | 2W40V-BMX-K worm gear hand winch only—gray-epoxy finish | 141 | 60 |
| E2 | 3WG4B-K electric winch—115/1/60 VAC with 6 ft pendant control—enamel finish | 188 | 85 |
| E2X | 3WG4B-KX electric winch—115/1/60 VAC with 6 ft pendant control—gray-epoxy finish | 188 | 85 |
| E2L | 3WG4B-KL limit switch ready electric winch—115/1/60 VAC with 6 ft pendant control | 187 | 85 |
| E2LX | 3WG4BEGRA-KL limit switch ready electric winch—115/1/60 VAC with 6 ft pendant control—gray-epoxy finish | 187 | 85 |
| E3DL | 4HWF6M-KDL limit switch ready electric winch—230/3/60 VAC with control enclosure, 10' pendant—red-enamel finish | 476 | 215 |
| E3DLX | 4HWF6MX-KDL limit switch ready electric winch—230/3/60 VAC with control enclosure, 10' pendant—gray-epoxy finish | 476 | 215 |
| E3EL | 4HWF6M-KEL limit switch ready electric winch—460/3/60 VAC with control enclosure, 10' pendant—red-enamel finish | 476 | 215 |
| E3ELX | 4HWF6MX-KEL limit switch ready electric winch—460/3/60 VAC with control enclosure, 10' pendant—gray-epoxy finish | 476 | 215 |

Wire Rope Assemblies—sold separately

Galvanized or stainless steel wire rope assemblies. 316 stainless steel assemblies available—contact factory. For extended wire rope length—contact factory.

| Wire Rope Length | | Galvanized Aircraft Cable Swivel Hook and Unfinished End | | 304 Stainless Steel Wire Rope | | | Galvanized EIPS Steel Wire Rope Carbon Steel Swivel Hook and Unfinished End | |
|------------------|------|--|---------------------|---|---------------------|---|---|--|
| | | Swivel Hook and Unfinished End | | Carbon Steel Swivel Hook and Unfinished End | | Carbon Steel Swivel Hook and Unfinished End | | |
| | | 3/8" Dia. (9.53 mm) | 3/8" Dia. (9.53 mm) | 7/16" Dia. (11.11 mm) | 1/2" Dia. (12.7 mm) | 7/16" Dia. (11.11 mm) | 1/2" Dia. (12.7 mm) | |
| (ft) | (m) | Model No. | Model No. | Model No. | Model No. | Model No. | Model No. | |
| 28 | 8.5 | WA38-28DS | WS38-28DS | WS44-28DS | WS50-28DS | WEG44-28DS | WEG50-28DS | |
| 36 | 10.9 | WA38-36DS | WS38-36DS | WS44-36DS | WS50-36DS | WEG44-36DS | WEG50-36DS | |
| 45 | 13.7 | WA38-45DS | WS38-45DS | WS44-45DS | WS50-45DS | WEG44-45DS | WEG50-45DS | |
| 60 | 18.2 | WA38-60DS | WS38-60DS | WS44-60DS | WS50-60DS | WEG44-60DS | WEG50-60DS | |
| 75 | 22.8 | WA38-75DS | WS38-75DS | WS44-75DS | WS50-75DS | WEG44-75DS | WEG50-75DS | |

PERFORMANCE

Captain 4000 5FT40 Series Lift Below Floor¹ Level

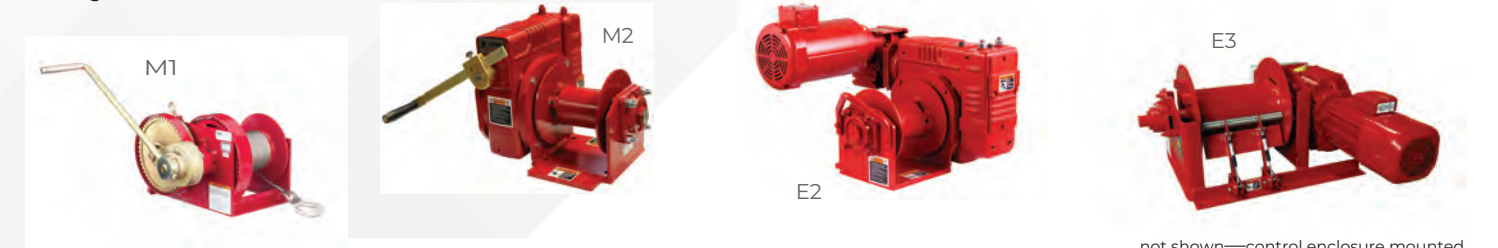
| Lift Below Floor ² | | Wire Rope Diameter | | Wire Rope Length | | Winch Configurations Maximum Winch Rating | | | | | | | | | |
|-------------------------------|--------------|--------------------|-----|------------------|------|---|-----|-------|-------|-------|-------|-------|-------|-------|-------|
| | | | | | | M1* | | M2 | | E2 | | E3 | | | |
| Minimum (C4) | Maximum (C1) | (ft) | (m) | (in) | (mm) | (ft) | (m) | (lbs) | (kg) | (lbs) | (kg) | (lbs) | (kg) | (lbs) | (kg) |
| -4 | -1 | 2 | 0 | 3/8" | 10 | 28 | 8 | 4,100 | 1,860 | 4,100 | 1,860 | 4,100 | 1,860 | 4,100 | 1,860 |
| 4 | 1 | 10 | 3 | 3/8" | 10 | 36 | 10 | 4,100 | 1,860 | 4,100 | 1,860 | 3,600 | 1,630 | 4,100 | 1,860 |
| 13 | 3 | 19 | 5 | 3/8" | 10 | 45 | 13 | 3,700 | 1,680 | 4,100 | 1,860 | 3,600 | 1,630 | 4,100 | 1,860 |
| 28 | 8 | 34 | 10 | 3/8" | 10 | 60 | 18 | 3,700 | 1,680 | 3,700 | 1,680 | 3,200 | 1,450 | 4,100 | 1,860 |
| 43 | 13 | 49 | 14 | 3/8" | 10 | 75 | 22 | 3,400 | 1,540 | 3,400 | 1,540 | 3,200 | 1,450 | 4,100 | 1,860 |
| 58 | 17 | 64 | 19 | 3/8" | 10 | 90 | 27 | - | - | 3,400 | 1,540 | 2,900 | 1,310 | 4,100 | 1,860 |
| 88 | 26 | 94 | 28 | 3/8" | 10 | 120 | 36 | - | - | - | - | 2,700 | 1,220 | 4,100 | 1,860 |
| 118 | 35 | 124 | 37 | 3/8" | 10 | 150 | 45 | - | - | - | - | - | - | 4,100 | 1,860 |
| 168 | 51 | 174 | 53 | 3/8" | 10 | 200 | 60 | - | - | - | - | - | - | 4,100 | 1,860 |
| -4 | -1 | 2 | 0 | 7/16" | 11 | 28 | 8 | 3,900 | 1,770 | 3,900 | 1,770 | 3,300 | 1,500 | 5,500 | 2,500 |
| 4 | 1 | 10 | 3 | 7/16" | 11 | 36 | 10 | 3,400 | 1,540 | 3,900 | 1,770 | 3,300 | 1,500 | 5,500 | 2,500 |
| 13 | 3 | 19 | 5 | 7/16" | 11 | 45 | 13 | 3,400 | 1,540 | 3,400 | 1,540 | 3,300 | 1,500 | 5,500 | 2,500 |
| 28 | 8 | 34 | 10 | 7/16" | 11 | 60 | 18 | 3,000 | 1,360 | 3,000 | 1,360 | 2,900 | 1,315 | 5,500 | 2,500 |
| 43 | 13 | 49 | 14 | 7/16" | 11 | 75 | 22 | - | - | 3,000 | 1,360 | 2,600 | 1,180 | 5,000 | 2,270 |
| 58 | 17 | 64 | 19 | 7/16" | 11 | 90 | 27 | - | - | - | - | 2,600 | 1,180 | 5,000 | 2,270 |
| 88 | 26 | 94 | 28 | 7/16" | 11 | 120 | 36 | - | - | - | - | - | - | 4,600 | 2,090 |
| 118 | 35 | 124 | 37 | 7/16" | 11 | 150 | 45 | - | - | - | - | - | - | 4,200 | 1,900 |
| 168 | 51 | 174 | 53 | 7/16" | 11 | 200 | 60 | - | - | - | - | - | - | - | - |
| -4 | -1 | 2 | 0 | 1/2" | 13 | 28 | 8 | 3,700 | 1,680 | 3,700 | 1,680 | 3,200 | 1,450 | 5,500 | 2,500 |
| 4 | 1 | 10 | 3 | 1/2" | 13 | 36 | 10 | 3,200 | 1,450 | 3,700 | 1,680 | 3,200 | 1,450 | 5,500 | 2,500 |
| 13 | 3 | 19 | 5 | 1/2" | 13 | 45 | 13 | 3,200 | 1,450 | 3,200 | 1,450 | 2,800 | 1,270 | 5,500 | 2,500 |
| 28 | 8 | 34 | 10 | 1/2" | 13 | 60 | 18 | - | - | - | - | 2,800 | 1,270 | 5,500 | 2,500 |
| 43 | 13 | 49 | 14 | 1/2" | 13 | 75 | 22 | - | - | - | - | - | - | 5,000 | 2,270 |
| 58 | 17 | 64 | 19 | 1/2" | 13 | 90 | 27 | - | - | - | - | - | - | 5,000 | 2,270 |
| 88 | 26 | 94 | 28 | 1/2" | 13 | 120 | 36 | - | - | - | - | - | - | 4,500 | 2,040 |
| 118 | 35 | 124 | 37 | 1/2" | 13 | 150 | 45 | - | - | - | - | - | - | - | - |
| 168 | 51 | 174 | 53 | 1/2" | 13 | 200 | 60 | - | - | - | - | - | - | - | - |

¹Performance characteristics are for standard products. Non-standard products may vary from the original design. Contact Thern, Inc. for this information.

²Lift below floor level varies depending on boom position and base configuration. For longer lifts, please contact factory.

*Not available for use with the 5FT40H crane.

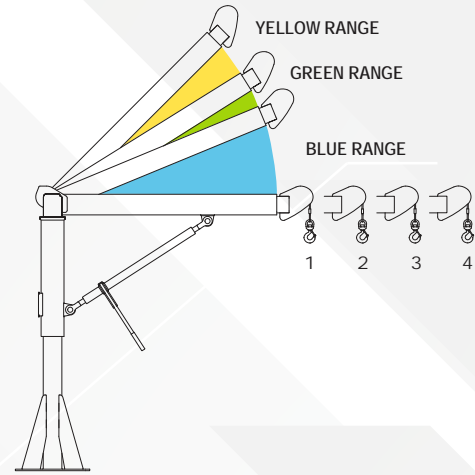
Winch Configurations



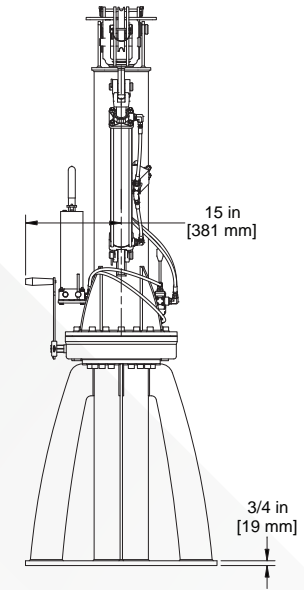
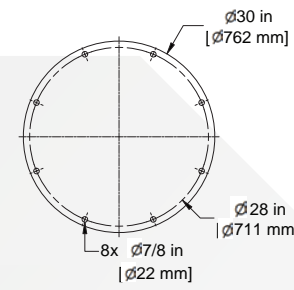
not shown—control enclosure mounted

Captain 4000 Performance Ratings

| Boom Position | 1st Layer Load Rating | | Hook Reach | | Hook Height** | | |
|---------------|-----------------------|-------|------------|------|---------------|------|-------|
| | (lb) | (kg) | (in) | (mm) | (in) | (mm) | |
| BLUE RANGE | A-1 | 4,800 | 2,180 | 77 | 1,955 | 68 | 1,727 |
| | A-2 | 4,100 | 1,860 | 92 | 2,337 | 68 | 1,727 |
| | A-3 | 3,500 | 1,590 | 107 | 2,718 | 68 | 1,727 |
| | A-4 | 3,000 | 1,360 | 122 | 3,099 | 68 | 1,727 |
| GREEN RANGE | B-1 | 5,500 | 2,500 | 69 | 1,753 | 102 | 2,591 |
| | B-2 | 4,600 | 2,090 | 82 | 2,083 | 108 | 2,743 |
| | B-3 | 4,000 | 1,810 | 96 | 2,438 | 115 | 2,921 |
| | B-4 | 3,300 | 1,500 | 109 | 2,768 | 121 | 3,073 |
| YELLOW RANGE | C-1 | 5,500 | 2,500 | 55 | 1,397 | 122 | 3,099 |
| | C-2 | 4,600 | 2,090 | 66 | 1,677 | 132 | 3,353 |
| | C-3 | 4,000 | 1,810 | 77 | 1,955 | 143 | 3,632 |
| | C-4 | 3,300 | 1,500 | 87 | 2,209 | 153 | 3,886 |



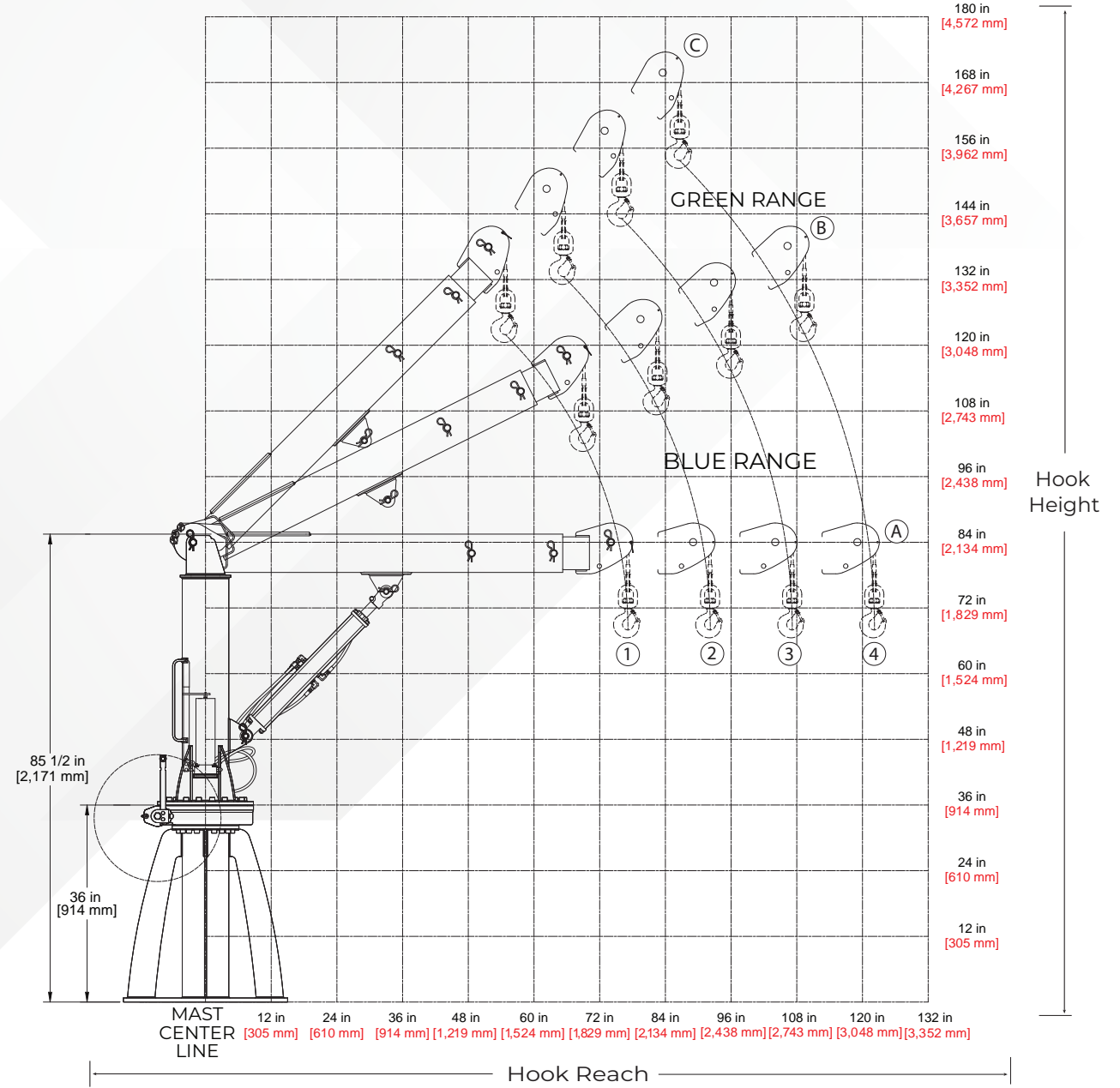
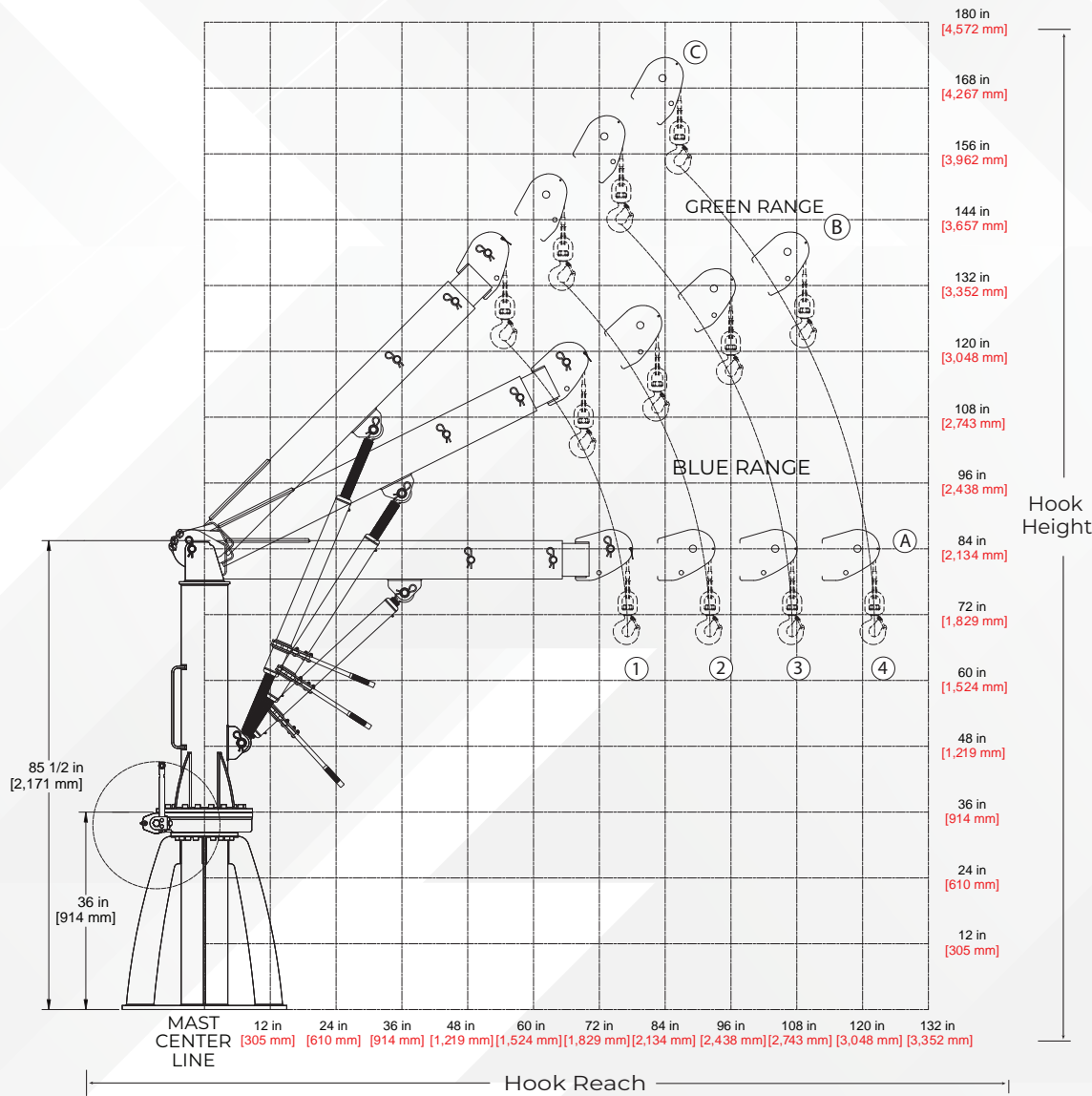
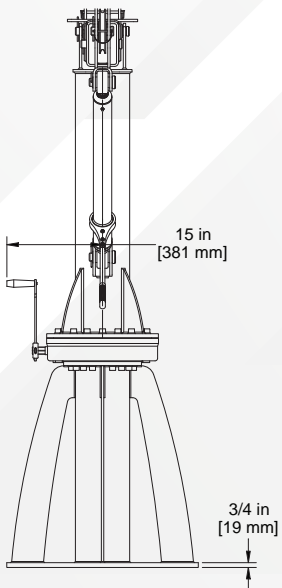
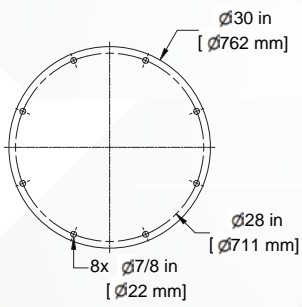
5FT40H



Dimensions are for reference only and subject to change without notice.

**Crane maximum load rating. Load rating may decrease as layers of rope wind onto the winch-drum. Refer to winch-specific information

5FT40



CRANE

OPTIONS & ACCESSORIES



| Base Anchor Kit | |
|-----------------|--|
| Model | Description |
| AN50A-5 | (4) Hilti® zinc-plated steel fasteners 1/2" X 5.50" STL (5PA5, 5PF5, and 5PT5 cranes) |
| AN50A-5S | (4) Hilti® 304 stainless-steel fasteners 1/2" X 5.50" SST304 (5PA5, 5PF5, and 5PT5 cranes) |
| AN50A-5S316 | (4) Hilti® 316 stainless-steel fasteners 1/2" X 5.50" SST316 (5PA5, 5PF5, and 5PT5 cranes) |
| AN62A-6 | (4) Hilti® zinc-plated steel fasteners 5/8" X 6.00" STL (5PA10, 5PT10, 5PT20, and 5FT20 cranes) |
| AN62A-6S | (4) Hilti® 304 stainless-steel fasteners 5/8" X 6.00" SST304 (5PA10, 5PT10, 5PT20, and 5FT20 cranes) |
| AN62A-6S316 | (4) Hilti® 316 stainless-steel fasteners 5/8" X 6.00" SST316 (5PA10, 5PT10, 5PT20, and 5FT20 cranes) |

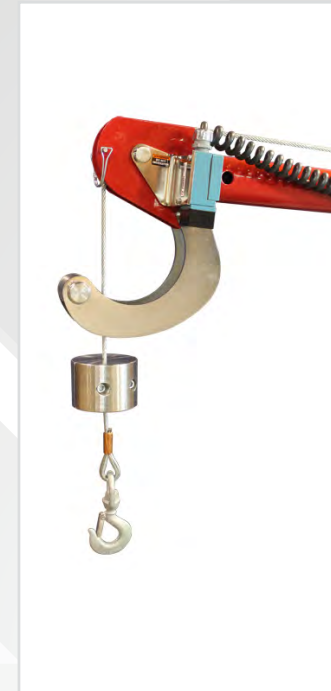
| Rotational Lock | |
|-----------------|---|
| Model | Description |
| 5P5LCK | For pedestal, wall, and flush-mount bases, 316 stainless steel—available for use 5PA5, 5PF5, and 5PT5 |

| Cable Spooler | |
|---------------|--|
| Model | Description |
| RW50 | 316 stainless-steel reel winds up wire rope when detached from crane |

| Wire Rope Keeper | |
|------------------|--|
| Model | Description |
| RK19-25S | 304 Stainless-steel bracket holds free end of the wire rope when detached from the crane |
| RK19-25S316 | 316 Stainless-steel bracket holds free end of the wire rope when detached from the crane |

| Roller Ball Bearing for 5PT10 Series Crane | |
|--|---|
| Model | Description |
| 5PT10BRG | Red electrostatic, powder-coat paint finish |
| 5PT10BRG-S | 304 stainless-steel, electro-polished finish for added protection against corrosion |
| 5PT10BRG-S316 | Stainless-steel, electro-polished finish for maximum protection against corrosion |
| 5PT10BRG-SS | 304 stainless steel, for use with stainless-steel base only |
| 5PT10BRG-SS316 | 316 stainless steel, for use with stainless-steel base only |

| Roller Ball Bearing for 5PT20 Series Crane | |
|--|---|
| Model | Description |
| 5PT20BRG | Red electrostatic, powder-coat paint finish |
| 5PT20BRG-S | 304 stainless-steel, electro-polished finish for added protection against corrosion |
| 5PT20BRG-S316 | Stainless-steel, electro-polished finish for maximum protection against corrosion |
| 5PT20BRG-SS | 304 stainless steel, for use with stainless-steel base only |
| 5PT20BRG-SS316 | 316 stainless steel, for use with stainless-steel base only |



| Limit Switch Ready Winch Options | |
|---|---|
| Model | Description |
| NOTE: Limit switch winch option requires purchase of Limit Switch and Headache Ball (sold separately) | |
| For 5PF5, 5PA5, 5PA10, 5PT5, 5PT10, 5PT20 Series Cranes (sold separately) | |
| E2L (5PA5, 5PA10) | 4WP2V-KL electric winch – 115/1/60 VAC with 6 ft pendant control – enamel |
| E2LX (5PA5, 5PA10) | 4WP2VEGRA-KL electric winch – 115/1/60 VAC with 6 ft pendant control – epoxy gray |
| E4L | 4777-KL electric winch – 115/1/60 VAC with 6 ft pendant control – enamel |
| E4LX | 4777EGRA-KL electric winch – 115/1/60 VAC with 6 ft pendant control – epoxy gray |
| E4DCL | 4777DC-KL electric winch – 12 volt DC with 10 ft pendant control – enamel |
| E4DCLX | 4777DCEGRA-KL electric winch – 12 volt DC with 10 ft pendant control – epoxy gray |

| For 5FT20 Series Crane Only (sold separately) | |
|---|--|
| E2L | 4WP2-KL electric winch – 115/1/60 VAC with 6 ft pendant control – enamel |
| E2LX | 4WP2EGRA-KL electric winch – 115/1/60 VAC with 6 ft pendant control – epoxy gray |
| E4L | 4771-KL electric winch – 115/1/60 VAC with 6 ft pendant control – enamel finish |
| E4LX | 4771EGRA-KL electric winch – 115/1/60 VAC with 6 ft pendant control – gray-epoxy finish |
| E4DCL | E4DCL 4771DC-KL electric winch – 12 volt DC with 10 ft pendant control – enamel finish |
| E4DCLX | 4771DCEGRA-KL electric winch – 12 volt DC with 10 ft pendant control – gray-epoxy finish |

| For 5PT30, 5FT25, 5FT40 Series Crane Only (sold separately) | |
|---|--|
| E2L | 3WG4B-KL electric winch - 115/1/160 VAC with 6 ft pendant control – enamel finish |
| E2LX | 3WG4BEGRA-KL electric winch - 115/1/160 VAC with 6 ft pendant control – epoxy gray finish |
| E2TL | 3WG4BMT-K electric winch - 115/1/160 VAC with 6 ft pendant control – enamel finish (Unavailable for use with 5FT40) |
| E2TLX | 3WG4MTX-KL electric winch - 115/1/160 VAC with 6 ft pendant control – epoxy gray finish |

| Drill Drive Kit | |
|-----------------|---|
| Model | Description |
| ED330-DW11 | 120 VAC, 11-amp, 330 rpm drill motor to power drive the hand winch. Only available for cranes configured with the M2 winch option. Includes 1-1/8" hex drive socket |
| ED300-DW06 | Cordless drill kit, 60 V brushless motor, 300 rpm drill motor to power drive the M2 hand winch option. Includes 1-1/8" hex drive socket |
| ED400-DW09 | Heavy-duty cordless drill kit, 60 V brushless motor, 400 rpm drill motor to power drive the M2 hand winch option. Includes 1-1/8" hex drive socket |

| Headache Ball | |
|---------------|---|
| Model | Description |
| HB10-12-25 | Red enamel painted 10 lb fits 1/8" to 1/4" rope |
| HB10-25-38 | Red enamel painted 10 lb fits 1/4" to 3/8" rope |
| HB10S-12-25 | Stainless-steel 10 lb fits 1/8" to 1/4" rope |
| HB10S-25-38 | Stainless-steel 10 lb fits 1/4" to 3/8" rope |
| HB10S-44-50 | Stainless-steel 10 lb fits 7/16" to 1/2" rope |

| Base Extension | |
|----------------|---|
| Model | Description |
| 5BE5-15 | Available on 5PF5, 5PT5, 5PT10, and 5PT20 with powder-coat, galvanized, 304 & 316 stainless-steel, and epoxy finishes |
| 5BE10-15 | |
| 5BE20-15 | |





MADE IN USA 

Thern, Incorporated

World Headquarters
5712 Industrial Park Road Winona, MN USA
Toll Free: 1-800-843-7648
Phone: 1-507-454-2996
www.thern.com

Thern Europe

Bedrijvenpark Twente 454e
7602 KM Almelo The Netherlands
Phone: +31-546-898-380
europa@thern.com