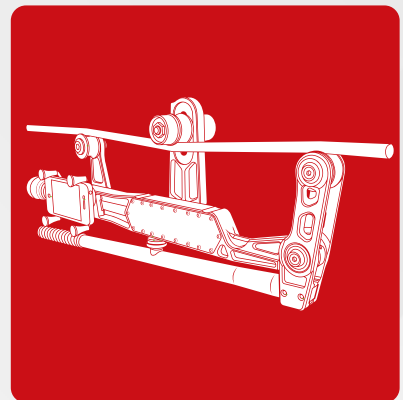
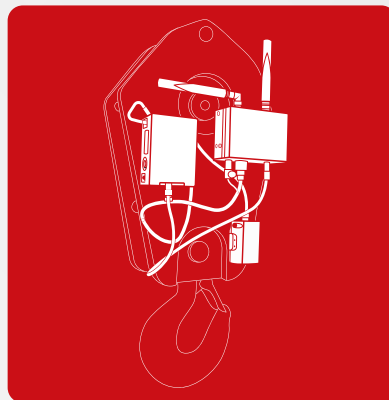
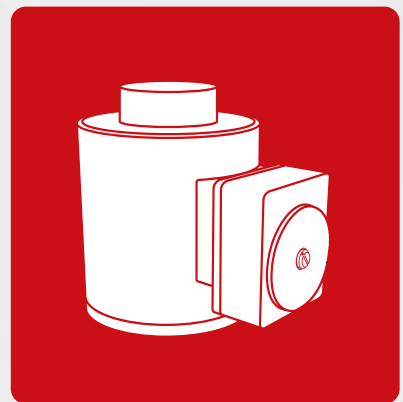
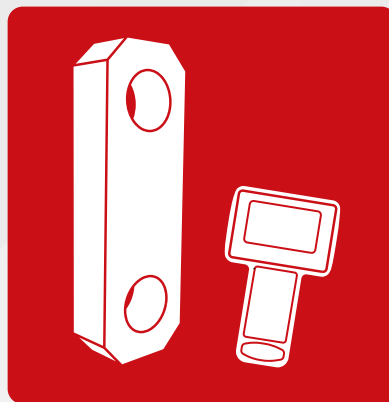


LOAD MONITORING

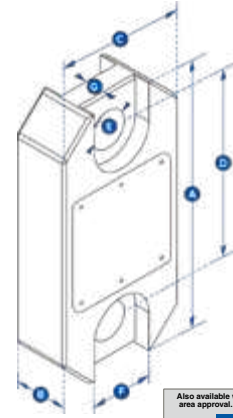
Advanced technology products and software solutions that improve communication and overall safety awareness.



Radiolink Plus



- Capable of weighing and dynamic load monitoring in capacities from 1t to 500t.
- Constructed of lightweight, aerospace grade aluminum.
- Environmentally sealed to IP67 or NEMA6.
- Proprietary 2.4 GHz wireless.
- Update rate of 3Hz and can be easily configured to run at industry-leading speeds of up to 200Hz.
- Remote on/off from handheld display or software.
- ATEX Zones 0, 1 & 2 available.
- Design validated by FEA.
- 2-year warranty.
- DNV-GL Type Approval.
- Complies with ASME B30.26.
- Bluetooth option is available and is supplied with a free HHP app for iOS and Android.

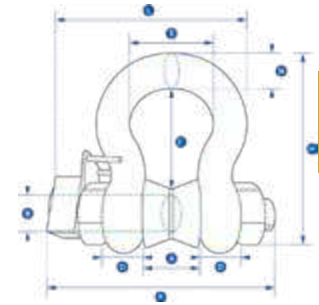


Part Number SP	RLP1T	RLP2T5	RLP6T5	RLP12T	RLP25T	RLP35T	RLP55T	RLP75T	RLP100T	RLP150T	RLP200T	RLP250T	RLP300T	RLP500T		
Crosby	2789084	2789089	2789094	2789082	2789088	2789091	2789093	2789095	2789081	2789083	2789085	2789087	2789090	2789092		
Capacity	(te)	1,000 kg	2.5	6.5	12	25	35	55	75	100	150	200	250	300	500	
	(lb)	2,200	5,500	14,300	26,000	55,000	77,000	120,000	165,000	220,000	330,000	440,000	550,000	660,000	1,100,000	
Resolution	(te)	0.5 kg	0.001	0.001	0.002	0.005	0.005	0.01	0.01	0.05	0.05	0.1	0.1	0.1	0.1	
	(lb)	1	2	2	5	10	10	20	20	100	100	200	200	200	200	
Units	(metric)	kg	metric tons													
	(imperial)		pounds													
Weight	(kg)	1.5	1.5	2.4	3.7	5	8.6	13	16	34	46	82	82	118	193	
	(lb)	3.3	3.3	5.3	8.2	11	19	28.7	35.3	75	101.4	180.8	180.8	260	425.5	
Design Factor		12:1	7:1	7:1	7:1	5:1	5:1	5:1	5:1	5:1	4:1	5:1	4:1	5:1	5:1	
Battery Type		Handheld 2 x AA / Loadcell 4 x AA														
Battery Life		Handheld - 40 hours / Loadcell 1200 hours continuous (Loadcell 500 hours if Bluetooth)														
Display Type		240 x 128 pixel Multi-line dot matrix with backlight														
Operating Temp.		-10°C to +50°C / 14°F to 122°F														
Accuracy		±0.1% of full scale														
Frequency		2.4 GHz														
System Range (max)		1000 meters / 3280 feet (100 meters / 328 feet if Bluetooth) (500 meters / 1640 feet if ATEX/IECEx)														
Data Rate		3 Hz - up to 200 Hz can be ordered for dynamic load monitoring applications														
Protection		IP67 / NEMA6														
Dimension A	(mm)	204	204	249	305	340	393	424	470	608	670	700	700	806	930	
	(in)	8.03	8.03	9.80	12.01	13.39	15.47	16.69	18.50	23.94	26.38	27.56	27.56	31.73	36.61	
Dimension B	(mm)	43	43	43	47	60	75	75	75	99	99	144	144	150	150	
	(in)	1.69	1.69	1.69	1.85	2.36	2.95	2.95	2.95	3.90	3.90	5.67	5.67	5.91	5.91	
Dimension C	(mm)	104	104	113	113	115	126	180	202	255	303	350	350	426	570	
	(in)	4.09	4.09	4.45	4.45	4.53	4.96	7.09	7.95	10.04	11.93	13.78	13.78	16.77	22.44	
Dimension D	(mm)	146	146	165	193	215	225	230	260	320	360	350	350	350	450	
	(in)	5.75	5.75	6.50	7.60	8.46	8.86	9.06	10.24	12.60	14.17	13.78	13.78	13.78	17.72	
Dimension ØE	(mm)	24.5	24.5	38	47.5	55	60	76	76	109	109	145	145	160	200	
	(in)	0.96	0.96	1.50	1.87	2.17	2.36	2.99	2.99	4.29	4.29	5.71	5.71	6.30	7.87	
Dimension F	(mm)	48	48	65	NOT RELEVANT IN THIS CAPACITY											
	(in)	1.89	1.89	2.60												
Dimension G	(mm)	19	19	32	NOT RELEVANT IN THIS CAPACITY											
	(in)	0.75	0.75	1.26												
Crosby Shackle		G2130					G2140					G2160				
Loading Pin Ø (mm)		19	19	25	35	51	57	57	70	83	95	121	127	152	180	
	(in)	3/4	3/4	1	1 3/8	2	2 1/4	2 1/4	2 3/4	3 1/4	3 3/4	4 3/4	5	6	7 1/8	

Wireless Loadshackle



- Capacities of 3.25t to 500t, as well as being obtainable up to 3000t.
- Wireless range of 1000m or 3280ft.
- Every Loadshackle is proof tested.
- Electronics housed in hard anodized enclosure.
- Environmentally sealed to IP67 or NEMA6.
- Battery life of 1200 hrs from 4 x AA batteries.
- Internal antenna.
- Remote on/off from handheld display or software.
- Supplied with a load-centering bobbin.
- 2-year warranty.
- Complies with ASME B30.26.
- Design validated by FEA.
- ATEX Zones 0, 1 & 2 available.
- Bluetooth option is available and is supplied with a free HHP App for iOS and Android.



2

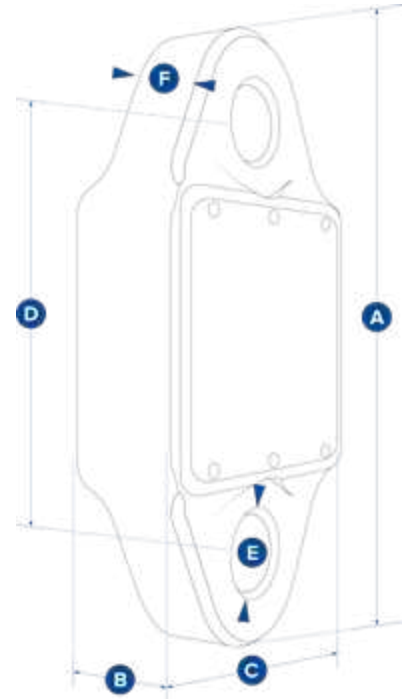


Part Numbers	WLS3.25T	WLS6.5T	WLS12T	WLS25T	WLS55T	WLS85T	WLS120T	WLS200T	WLS300T	WLS400T	
Crosby	2789186	2789200	2789183	2789185	2789199	2789201	2789172	2789184	2789188	2789189	
Capacity	(te)	3.25	6.5	12	25	55	85	120	200	300	400
	(lb)	7,150	14,300	26,400	55,000	120,000	185,000	260,000	440,000	660,000	880,000
Resolution	(te)	0.005	0.005	0.01	0.02	0.05	0.05	0.1	0.2	0.5	0.5
	(lb)	10	10	20	50	100	100	200	200	1000	1000
Units	(metric)	metric tons									
	(imperial)	pounds									
Weight	(kg)	2.8	3.2	8	18	25	85	125	260	405	662
	(lb)	6.16	7	17.6	40	55	187	276	573	893	1459
Design Factor	5:1 when used with load bobbin										
Battery Type	Loadcell 4 x AA Alkaline										
Battery Life	Loadcell 1200 hours continuous (500 hours if Bluetooth)										
Operating Temp.	-10°C to +50°C / 14°F to 122°F										
Accuracy	±1% full scale										
Frequency	2.4 GHz										
System Range (max)	1000 meters / 3280 feet (100 meters / 328 feet if Bluetooth) (500 meters / 1640 feet if ATEX/IECEx)										
Data Rate	3 updates per second										
Protection	IP67 / NEMA6										
Dimension A	(mm)	26.9	36.6	51.5	73	82.5	127	144	180	205	230
	(in)	1.06	1.44	2.03	2.87	3.25	5.00	5.66	7.09	8.07	9.06
Dimension ØB	(mm)	19.1	25.4	35.1	51	57	83	95	125	150	175
	(in)	0.75	1.00	1.38	2.01	2.24	3.26	3.74	4.92	5.91	6.89
Dimension C	(mm)	56.9	79.7	113	170	189.5	317	364	432.2	505	547.7
	(in)	2.24	3.14	4.45	6.69	7.46	12.48	14.33	17.02	19.88	21.56
Dimension D	(mm)	14.46	20.6	29.5	44.5	51	80	89	110	120	160
	(in)	0.57	0.81	1.16	1.75	2.01	3.14	3.50	4.33	4.72	6.30
Dimension E	(mm)	42.9	58	82.5	127	146	190	238	280	305	325
	(in)	1.69	2.28	3.25	5.00	5.75	7.48	9.37	11.02	12.01	12.80
Dimension H	(mm)	106	148	210	313	348	539	624	769	904	1006.5
	(in)	4.17	5.83	8.27	12.32	13.70	21.22	24.56	30.28	35.59	39.63
Dimension L	(mm)	135	156.5	201	275	306	393	445	529.7	586.7	667.2
	(in)	5.31	6.16	7.91	10.83	12.05	15.47	17.51	20.85	23.10	26.27
Dimension N	(mm)	17.5	24.6	35.1	57	61	85	95	120	140	160
	(in)	0.69	0.97	1.38	2.24	2.40	3.34	3.74	4.72	5.51	6.30
Dimension P	(mm)	150	173	222	290	317	448	488	600	657	765
	(in)	5.91	6.81	8.74	11.42	12.48	17.63	19.21	23.62	25.87	30.12
Crosby Shackle	G2130				G2140		S2135				

BlueLink



Designed to replace outdated mechanical products still in the field, this 14,300lb (6500kg) dynamometer, the BlueLink, is the latest Crosby Straightpoint product to feature proprietary Bluetooth wireless technology.



The Bluetooth signal effortlessly connects to any iOS or Android smartphone that has our free HHP app installed, providing the operator with a wireless range of up to 328ft or 100m. This allows them to stand in a safe position from the load with no requirement to read a load on the loadcell itself. The app also allows the operator to log data versus time, or on events such as over- or under-load. An adjustable alarm will alert the operator on their smartphone if any overload is occurring.

Rigged using industry standard Crosby G2130 Shackles, the BlueLink has been designed to minimize headroom (6.14 in or 156mm from eye to eye). With a design factor of over 500%, its compact lightweight design does not sacrifice on strength.

Constructed from high-quality aerospace grade aluminum, which is then hard-anodized, BlueLink features an advanced internal design structure. This design provides the product with an unrivaled strength to weight ratio. The use of a separate internal sealed enclosure administers the loadcell's electronic components with IP67 or NEMA6 environmental protection, even with the battery cover plate missing. All these features makes it an industry-leading compact dynamometer, even more suitable for use in the harshest industrial or leisure environments.

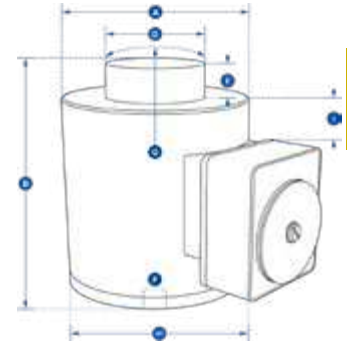
The BlueLink is powered by four standard AA alkaline batteries that provide in excess of 500 hours transmission time. Its internal antenna ensures safe transmissions of loads to an accuracy of $\pm 0.2\%$ FS.

Part Numbers	BLD6T5
SP	
Crosby	2789218
Capacity	6.5 t
	14,300 lb
Resolution	0.001 t
	2 lb
Weight	1.5 kg
	3.3 lb
Design Factor	5:1
Battery Type	4 x AA alkaline batteries
Battery Life	500 hours
Operating Temperature	-10°C to +50°C / 14°F to 122°F
Accuracy	$\pm 0.2\%$ of full scale
Range	100 meters / 328 feet
Data Rate	3 Hz
Protection	IP67 / NEMA6
Dimension A	224 mm
	8.82 in
Dimension B	44 mm
	1.73 in
Dimension C	113.6 mm
	4.47 in
Dimension D	156 mm
	6.14 in
Dimension ØE	27.5 mm
	1.08 in
Dimension F	33 mm
	1.3 in

LoadSafe



- Wireless range of 1000m or 3280ft.
- High grade 17-4PH stainless steel, providing excellent strength and corrosion resistance.
- Proprietary 2.4 GHz wireless.
- Accuracy of $\pm 0.1\%$ FS.
- Environmentally sealed to IP67 or NEMA6.
- Stocked capacities up to 1000t.
- Industry leading wireless range up to 1000m or 3280ft.
- Internal antenna.
- ATEX & IECEx version for hazardous area zones 0, 1 & 2 available.
- Battery life of 1200 hrs.
- Compact size.
- Remote on/off from handheld display or software.
- Design validated by FEA.
- Bluetooth option is available and is supplied with a free HHP App for iOS and Android.

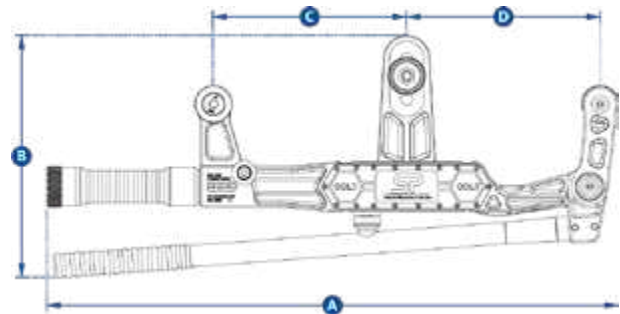


2



Part Numbers SP	WNI5TC	WNI10TC	WNI25TC	WNI50TC	WNI100TC	WNI150TC	WNI300TC	WNI500TC	WNI1000TC	
Crosby	2789197	2789191	2789193	2789196	2789190	2789192	2789194	2789195	2789138	
Capacity	(te)	5	10	25	50	100	150	300	500	1000
	(lb)	11,000	22,000	55,000	110,000	220,000	330,000	660,000	1,100,000	2,200,000
Resolution	(te)	0.001	0.002	0.005	0.01	0.05	0.05	0.1	0.2	0.5
	(lb)	2	5	10	20	100	100	200	500	1000
Units	(metric)	metric tons								
	(imperial)	pounds								
Weight	(kg)	6.2	6.2	6.2	6.2	15.5	15.5	65	65	172
	(lb)	13.64	13.64	13.64	13.64	34	34	143	143	379
Design Factor	3:1									
Battery Type	Loadcell 4 x AA Alkaline									
Battery Life	Loadcell 1200 hours continuous (500 hours if Bluetooth)									
Operating Temp.	-10°C to +50°C / 14°F to 122°F									
Accuracy	$\pm 0.1\%$ of full scale									
Frequency	2.4 GHz									
System Range (max)	1000 meters / 3280 feet (100 meters / 328 feet if Bluetooth) (500 meters / 1640 feet if ATEX/IECEx)									
Data Rate	3 Hz (configurable to 200Hz)									
Protection	IP67 / NEMA6									
Dimension ØA (mm)		100	100	100	100	152	152	185	185	362
	(in)	3.94	3.94	3.94	3.94	5.98	5.98	7.28	7.28	14.25
Dimension B (mm)		127	127	127	127	184	184	300	300	310
	(in)	5.00	5.00	5.00	5.00	7.24	7.24	11.81	11.81	12.20
Dimension ØD (mm)		59	59	59	59	80	80	155	155	270
	(in)	2.32	2.32	2.32	2.32	3.15	3.15	6.10	6.10	10.63
Dimension E (mm)		16	16	16	16	26	26	27.5	27.5	40
	(in)	0.63	0.63	0.63	0.51	1.02	1.02	1.08	1.08	1.57
Dimension F (mm)		M18 x 2.5	M18 x 2.5	M18 x 2.5	M20 x 2.5	M20 x 2.5	M20 x 2.5	M20 x 2.5	M20 x 2.5	M30 x 3.5
	(mm)	M18 x 2.5	M18 x 2.5	M18 x 2.5	M20 x 2.5	M20 x 2.5	M20 x 2.5	M20 x 2.5	M20 x 2.5	M30 x 3.5
Dimension G (mm)		152	152	152	152	432	432	432	432	950
	(in)	5.98	5.98	5.98	5.98	17.01	17.01	17.01	17.01	37.40
Dimension H (mm)		158	158	158	158	208	208	241	241	422
	(in)	6.22	6.22	6.22	6.22	8.19	8.19	9.49	9.49	16.61
Dimension I (mm)		6	6	6	6	7	7	21.5	21.5	102
	(in)	0.23	0.23	0.23	0.23	0.27	0.27	0.27	0.54	4.02
Loadcell top to SA700 top	(in)	0.23	0.23	0.23	0.23	0.27	0.27	0.27	0.54	4.02

Clamp On Line Tensionmeter (COLT)



- Lightweight wire rope tension meter for fast and accurate measurement of tensions up to 11,000lb or 5000 kg and up to 1 in or 25mm diameter.
- Constructed from aerospace grade aluminum.
- Unlimited wire rope calibration database via Android or iOS app.
- Built-in magnetic smart device holder for on board display.
- Main swivel joints fitted with high-quality bearings.
- Lever ratio of 5.3:1 allows effortless, safe, clamping onto pre-tensioned wire ropes.
- Wireless Bluetooth 4.2 enabling operator to stand a safe distance away, up to 100 m or 328 ft.
- Quick intuitive adjustable center sheave makes changing wire rope sizes fast and easy.
- No easily broken external antenna.
- High waterproof resistant design IP67 or NEMA6 for all weather use.
- Long battery life of 1000 hrs operational time.
- As the library of wire rope diameters and constructions is increased each app user will benefit when they update free of charge.

Part Numbers SP	COLT5T
Crosby	2789000
Max Load	5,000 kg 11,000 lb
Resolution	10 kg 20 lb
Units	kilograms, pounds, metric tons and kilonewtons
Min Wire Rope Ø	Ø5 mm Ø3/16"
Max Wire Rope Ø	Ø25 mm Ø1"
Max Line Reduction	5 mm with a Ø10 mm wire rope 7/32" with a Ø3/8" wire rope
Wire Rope Database	Infinite via Android or iOS app
Weight	3.5 kg 7.7 lb
Battery Type	2 x 'C' cell batteries
Battery Life	1000 hours Bluetooth transmission time
Operating Temp.	-25°C to +70°C / -13°F to +158°F
Protection	IP67 / NEMA6
Accuracy	±3% of full scale if wire rope Ø and construction known
Communication	Bluetooth 4.2
Dimension A	589 mm 23.2"
Dimension B	254 mm 10"
Dimension C	200 mm 7.9"
Dimension D	200 mm 7.9"

Specifications assume COLT used on a wire rope with a fixed and flexible end.

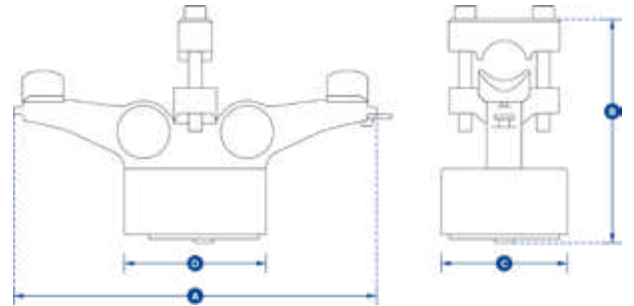


Optional for purchase:
 Calibration verification tool (CVT)
 SP - SA507 Crosby 2789225

In order to ensure the measurements of the COLT are as accurate as possible, Crosby SP supplies a calibration verification rod.

Bolt On Line Tensionmeter (BOLT)

2



- Constructed from aerospace-grade aluminum.
- Designed to be mounted in a permanent position on wire rope or cable to accurately monitor measurements of tension up to 20,000lb or 10,000 kg and up to 1.25 in or 32mm diameter.
- Proprietary 2.4 GHz wireless.
- Leading wireless range of 1000m/3280ft when connected to SW-HHP, enabling you to read up to four loadcells simultaneously.
- Unlimited range when connected to BaseStation to monitor remotely.
- Will provide reduced site visits, improve decision making and safely monitor line tensions from any distance from anywhere in the world.
- Unrivaled battery life of 1200 hrs.
- Multiple drop tested from 3 meters or 10 feet.
- Internal antenna.
- Remote on/off from handheld display or software.

Part Numbers	BOLT10T
SP	
Crosby	2789573
Max Load	10 t
	22000 lb
Resolution	0.01 t
	20 lb
Units	kilograms, pounds, metric tons and kilonewtons
Min Wire Rope Ø	16 mm
	5/8"
Max Wire Rope Ø	32 mm
	1 1/4"
Weight	2.1 kg
	4.6 lb
Battery Type	4 x 'AA' cell batteries
Battery Life	1200 hours
Operating Temp.	-10°C to +50°C / 14°F to +122°F
Protection	IP67 / NEMA6
Accuracy	Typically 3-5%
Communication	2.4 GHz
Dimension A	259 mm
	10.20"
Dimension B	159.1 mm
	6.26"
Dimension C	89 mm
	3.50"

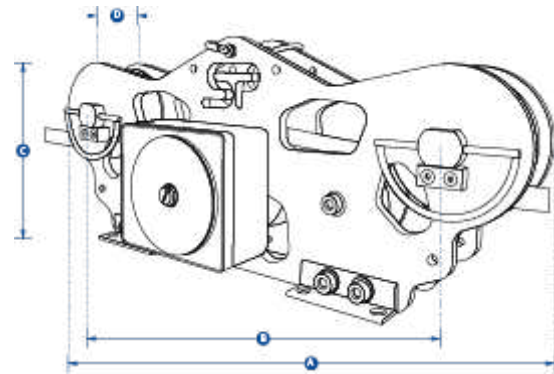


CROSBY STRAIGHTPOINT TRAINING VIDEOS

- How to pair a loadcell (and multiple loadcells) to a handheld
- How to know the correct number of compression cells required
- How to use the backlight function on a handheld
- How to get accurate loadcell readings at various distances
- Snatch block & loadcell demonstration
- COLT calibration verification tool installation demo
- Plus many more...

Watch now at thecrosbygroup.com/SPvideos

CableSafe



- Simple to use and set up.
- Remote monitoring using smart phone via Bluetooth.
- Rapid tension force measurement - Up to 600m or 1968ft per minute.
- Able to be used in all weather and air quality conditions.
- Providing up to 500 hours battery life.
- Easy to install and replace batteries (4 x AA standard alkaline).
- Fully constructed from aerospace-grade aluminum with anodized finish.
- Five-wheel design, improving accuracy.
- Blue anodized side plates.
- Linchpins are fitted to the top sheave pins, making wire rope installation quick and simple.
- Maintenance free heavy duty bearings.
- Compatible with a wide range of synthetic rope/electrical cable diameters – 4-30mm or 5/32 in – 1 3/16 in.
- IP67 ingress protection or NEMA6 – heavy protection against dust and rain.
- Design validated by FEA.

In addition to the TIMH range, the CableSafe® is the continued evolution of Crosby Straightpoint's running line tensiometers. When used in the field, it will allow the user to monitor tension with exceedingly high levels of accuracy, which ensures rope/cables do not become overstretched or break.

When using a capstan winch to unwind electrical cable from a reel/spool, you will be able to integrate the CableSafe within this set-up to ensure that it is being pulled at a safe tension level. This helps the line maintain its transmissions capability, prevent it becoming a fire hazard risk, and it also stops the need of furthering work in order to remove and replace it. The contractor is gifted with decreased liability, dramatically increasing peace of mind.

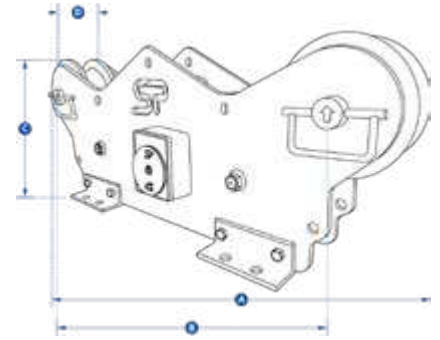
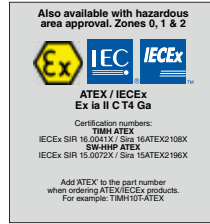
Part Numbers SP	CableSafe	CableSafe-WD
Crosby	2789219	2789399
Capacity	10 t	10 t
	22000 lb	22000 lb
Resolution	0.01 t	0.01 t
	20 lb	20 lb
Synthetic Rope / Electrical Cable Ø	4-19 mm	9.5-30 mm
	5/32"- 3/4"	3/8"- 1 3/16"
Weight	4.5 kg	8 kg
	10 lb	17.6 lb
Battery Type	4 x AA Alkaline	
Battery Life	500 hours	
Operating Temp.	-10°C to +50°C / 14°F to 122°F	
Accuracy	±2% of full scale	
Range	Bluetooth 100 meters / 328 feet	
Protection	IP67 / NEMA6	
Maximum Speed	600 m per minute	
	1,968 ft per minute	
Dimension A	422 mm	422 mm
	16.61"	16.61"
Dimension B	328 mm	328 mm
	12.91"	12.91"
Dimension C	152 mm	152 mm
	5.98"	5.98"
Dimension D	36.5 mm	50.5 mm
	1.43"	2"

Using CableSafe on cable pulls reduces liabilities on cable installations, making it ideal for the following applications:

- Measure tension when pulling electrical cables – protect against fractures or elongation
- Measuring tension on synthetic rope when erecting delicate structures using gin poles and capstan winch

Another example of best use is during the installation of cell phone towers or similar delicate structures. The product helps ensure structure-to-ground ropes which are connected to a gin pole and pulley system. Avoid the unknown through accurate monitoring, especially when risks are high.

Running Line Dynamometer



2

The TIMH range is a wireless running line tensiometer or RLTM built with dockside, marine, offshore, towage, and salvage applications in mind.

- Fully constructed from corrosion-resistant stainless steel.
- Large range of capacities to 150t and wire rope diameters up to 89mm or 3½ in.
- Measures tension force at speeds up to 20m/min or 65ft/min.
- Five-wheel design, improving accuracy.
- Industry leading battery life of 1200 hrs (wireless).
- Maintenance-free heavy duty bushes.
- Options for lineout and speed available.
- Software available to data log and monitor or analog outputs.
- Cabled system or wireless bluetooth option are available and is supplied with a free HHP app for iOS and Android.
- IP67 or NEMA6 Loadpin.
- Design validated by FEA.

Part Numbers SP	MTIMH10TRD	TIMH10TRD	TIMH25TRD	TIMH56TRD	TIMH80TRD	TIMH150TRD	
Crosby	2789054	2789136	2789139	2789144	2789146	2789270	
Capacity	(te)	10	10	25	56	80	150
	(lb)	22,000	22,000	55,000	123,200	176,000	330,000
Resolution	(te)	0.01	0.01	0.02	0.05	0.1	0.2
	(lb)	20	20	50	100	200	500
Wire Rope Ø	(mm)	4-19	13-19	16-26	28-38	40-52	52-89
	(in)	5/32" - 3/4"	1/2" - 3/4"	5/8" - 1"	1 1/8" - 1 1/2"	1 5/8" - 2"	2" - 3 1/2"
Weight	(kg)	9	90	86	81	76	230
	(lb)	20	198	190	179	168	506

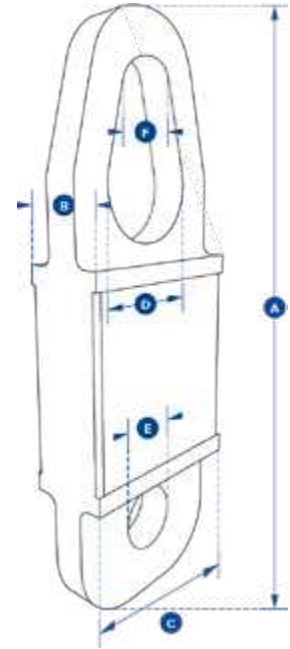
Battery Type	4 x AA Alkaline					
Battery Life	Wireless version 1200 hours continuous					
Operating Temp.	-10°C to +50°C / 14°F to 122°F					
Accuracy	±2% of full scale					
Frequency	2.4 GHz					
System Range (max)	700 meters / 2,300 feet					
Data Rate	3 updates per second					
Protection	IP67 / NEMA6					
Maximum Speed	50 m per minute		20 m per minute			
	164 ft per minute		65 ft per minute			

Line out and speed		via SW-MWLC software					
Dimension A	(mm)	422	865	865	865	865	1250
	(in)	16.62	34.05	34.05	34.05	34.05	49.21
Dimension B	(mm)	328	674	674	674	674	1050
	(in)	12.9	26.53	26.53	26.53	26.53	41.33
Dimension C	(mm)	152	324	324	324	324	416
	(in)	5.98	12.75	12.75	12.75	12.75	16.37
Dimension D	(mm)	36	111	111	111	111	153
	(in)	1.4	4.37	4.37	4.37	4.37	6.02

Towcell®



- Unique design fits any standard 2 inch tow hitch.
- Unmatched battery life of 500 hrs.
- Waterproof IP67 or NEMA6.
- Internal antenna.
- Compact size and lightweight.
- Proprietary 2.4 GHz wireless communication.
- Design validated by FEA.
- Bluetooth enabled and is supplied with a free HHP app for iOS and Android.



The Crosby Straightpoint Towcell® is a 25kN wireless loadcell, specifically engineered for the emergency services, salvage, and 4x4 industries. The Towcell allows for increased safety and the avoidance of costly overloads by providing real-time monitoring of tensile towing forces during recovery, clearance and salvage efforts.

The Towcell is rugged, lightweight, compact, and can be installed, with ease, onto any tow bar, whether it's a standard 52mm or 2 in ball or pin assembly and is ready to use in seconds.

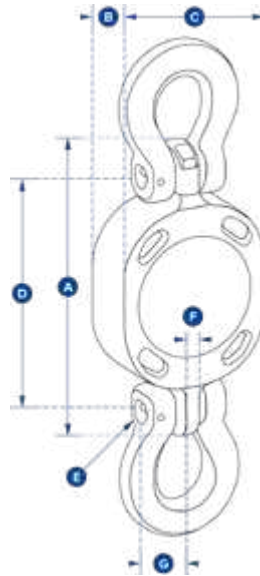
Modeled after Crosby SP's bestselling Radiolink Plus, the Towcell is constructed of high-quality aircraft grade aluminum. It features an advanced internal design structure, providing the product with an unrivaled strength to weight ratio. This optimal balance allows for the use of a separate internally sealed enclosure. This administers the internal electronic components with an IP67 or NEMA6 waterproof environmental protection, even with the battery cover plate missing.

Towcell utilizes an unbreakable internal antenna and boasts an unmatched battery life.

Part Numbers SP	Towcell - Bluetooth
Crosby	2789271
Capacity	25 kN
Resolution	0.01 kN
Weight	1.4 kg
	3 lb
Design Factor	5:1
Battery Type	4 x AA Alkaline
Battery Life	500 hours continuous
Operating Temp.	-10°C to +50°C / 14°F to 122°F
Accuracy	±0.1% of full scale
Frequency	2.4 GHz
System Range (max)	100 meters / 328 feet
Data Rate	50 Hz
Protection	IP67 / NEMA6
Dimension A	300 mm
	11.81"
Dimension B	43 mm
	1.70"
Dimension C	104 mm
	4.09"
Dimension ØD	51 mm
	2.00"
Dimension ØE	27 mm
	1.06"
Dimension ØF	31 mm
	1.22"

Only sold in Europe. Does not meet US towing requirements.

ChainSafe



Part Numbers SP	ChainSafe
Crosby	2789536
Capacity	4 t 88000 lb
Resolution	0.002 t 4 lb
Weight	2.5 kg 5.5 lb
Design Factor	4:1
Battery Type	Lithium Thionyl Chloride (non replaceable)
Battery Life	5 years based on 3 hours use per day
Operating Temp.	-10°C to +50°C / 14°F to 122°F
Accuracy	+/- 0.2% of full scale
Range	100 meters / 328 feet
Data Range	1 Hz
Protection	IP67 / NEMA6
Dimension A	164 mm 6.46"
Dimension B	35 mm 1.38"
Dimension C	85 mm 3.35"
Dimension D	132 mm 5.20"
Dimension E	13.2 mm 0.52"
Dimension F	11 mm 0.43"
Dimension G	28 mm 1.10"
Recommended Fittings	3/8" (10mm) G100 Chain fittings

2

- Designed to work with 10mm chain.
- Unmatched weight-to-strength ratio.
- Update rate of 1Hz and the Bluetooth signal effortlessly connects to any iOS or Android smartphone that has our free HHP App that will alert the operator on their smartphone if any overload is occurring.
- Bluetooth wireless range of 100m/328ft.
- No battery change required.
- Battery life 5 yrs based on 3 hrs use per day.
- Environmentally sealed to IP67/NEMA6.
- Internal antenna.
- Conforms to EN1677:2008.
- Fatigue tested to 30,000 cycles to 1.5x WLL.

ChainSafe is designed to be fitted with an array of The Crosby Group's chain fittings, and is an approved wireless tension loadcell capable of load monitoring of capacities up to 4t.

Grab Hooks:



Chain shortener:



Links:



Lashing:



Links:



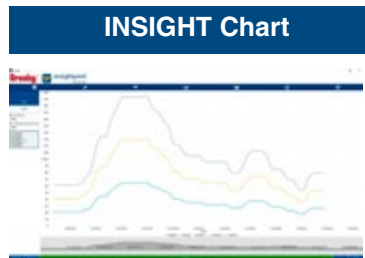
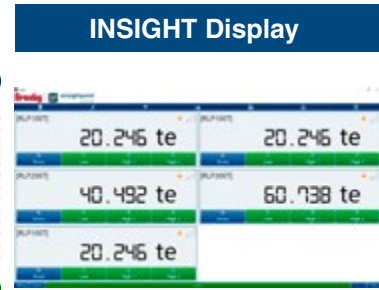
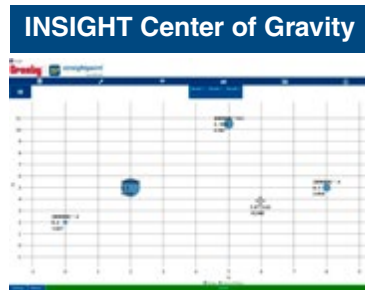
Connectors:



chain fittings are not included

INSIGHT Software

LOAD MONITORING



INSIGHT software, supplied with an SW-D USB wireless dongle, allows connection of up to 126 Crosby Straightpoint wireless loadcells simultaneously onto any Windows tablet or laptop.

Insight has four main features:

- Multi-channel display and data logging mode**
 View and log load data from connected loadcells plus totals loads live on screen and directly into a .csv file for later analysis at speeds of up to 200Hz.
- Visualization mode**
 For complicated lifts import a photo of the lift and drag and drop loadcell displays – make the screen look like the lift.
- Center of gravity mode**
 Connect to Crosby SP's range of wireless compression loadcells and use this feature to weigh and calculate the center of gravity of large items and structures.
- Proof load testing**
 Real time graphing of load test and auto generated test certificates.

- Logging at timed intervals, manual or on overload/ underload.
- Log data at speeds up to 200Hz.
- Visual and audible alarms indicate overload, underload, low battery, and communications error.
- 100% wireless, no easily damaged cables.
- 700m or 2300ft range allows operator to stand at safe distance from test.
- Connects to any Crosby SP wireless loadcell.
- Automatically creates digitally signed pass or fail certificate.
- Real-time load v time graph display.
- Three weighings per C of G report with averages and statistical analysis to ISO19901.
- Plot loadcell positioning using measurements or GPS coordinates.
- Free extra entry fields for operator, client, wind speed, sea states, and temperature available for reporting.

INSIGHT Software

Numerous proof load testing applications worldwide require a loadcell to verify the load applied. From crane testing, using water bags to pad eye testing, using hydraulic tools, the need to document test procedure and results has never been greater, especially as users of lifting equipment call for more traceability and audit trails.

A proof test is a form of stress test to demonstrate the fitness of a load-bearing structure, and is nominally a non-destructive test. Such a structure is often subjected to loads above that expected in normal use, demonstrating safety and design margin.

This demand has increased so much, Crosby Straightpoint offers a software package designed to connect to any of their wireless loadcells – Proof Test plus.

This impressive package allows the test engineer to wirelessly, at a safe distance, monitor a proof load test and automatically create a pass or fail certificate when testing is complete.

The report is formatted as a PDF, which may then be printed, emailed, or uploaded to the cloud, resulting in a traceable document for both test engineer and end customer.

Typical load tests using Crosby SP loadcells include:

- Bollard pull tests
- Tug tests
- Crane test (water bags, block weights)
- Pad eye or fly point testing
- Crash barrier testing
 - Lifting equipment testing
 - Slings, chains, wire rope, hooks
- Construction equipment testing
 - Shoring columns, acrow props, lintels
- Lifting and spreader beam testing
- Hydraulic cylinder load test
- Supplied with SW-D transmitter

ACME Corporation
 ACME 15th
 Test
 Test
 PO20 8CA
 02382 476273
 www.acmeinf.com

A

Certificate of Load Test - 10 August 2021 11:59:16

Date of Test:	10 August 2021 11:59:16	Product Description:	Pad Eye
Certification Number:	AL-10001	Serial or Tag No.:	112255
Company:	Rob Friend	WLL:	20t
Address:	Unit 19, Express Way, 90012	Test Method:	Pull
		Load Test To:	20t
Tel:	+006 2543467	Duration of Test:	54.83 seconds
Contact:	testcustomer@company.com	Notes:	Max load can reach up to m101% of WLL
Reference Loadcell:	ton	Calibrated On:	Wednesday, 09 February 2016
Serial Number:	656099	WLL:	20
Calibrated Unit:	ton	Measuring Unit:	ton

Peak Load: 23.098 t

This is to certify that this product described herein has been subjected to the load test.
 Caution: Never exceed the rated capacities.

Notes: Test accepted

Signed: Bob Friend

Appointed Person: Bob Friend ID: 1234 Eng

This proof test was carried out using a reference load cell that had exceeded the recommended recalibration interval (12 months).

Part Numbers	INSIGHT med SW-D
SP	
Crosby	2789318
IP rating	IP67 / NEMA6
USB Dongle Operating Temp.	-20°C to +70°C / -4°F to 158°F
Licence	Licence free
Frequency	2.4 GHz
Range	700 meters / 2,300 feet
Loadcell Inputs	Up to 126
PC Requirements	Intel i3 processor with 2GB RAM
Operating System	Windows 7 and 10

LoadConnect Software

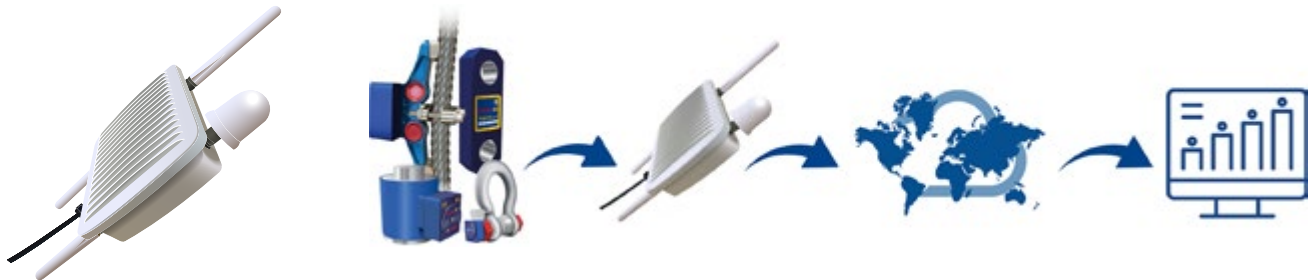


Crosby Straightpoint LoadConnect, connected to BaseStation, is a cloud-based solution to monitor loads and line tensions from any distance and from anywhere in the world. Stay connected, protect assets, reduce site visits, and improve safety.

- Dashboard overview.
- Live load data.
- Error reporting.
- Productivity and utilization graphs.
- Regular email reporting.
- SMS alerts.
- Connect to BOLT to monitor tension on cables.
- Connect to SP loadcells to monitor loads.

LCBS Base

How it works:



Part Number	LCBS-N	LCBS-W
Crosby	2789574	2789596
Required Power Supply	9 to 28 V DC	9 to 28 V DC
Radio Frequency	2.4 GHz (License Free)	2.4 GHz (License Free)
Maximum Number of Loadcells	16	16
Range	Up to 500 meters / 1,640 feet	Up to 500 meters / 1,640 feet
Operating Temperature Range	-10°C to 50°C / 14°F to 122°F	-10°C to 50°C / 14°F to 122°F
Backup Battery Life	16 hours	16 hours
Input Option	1x 4-20mA (2 wire) OR 1x mV/V & Wireless	1x 4-20mA (2 wire) OR 1x mV/V & Wireless
Weight	2.75 kg / 6.06 lb	2.75 kg / 6.06 lb
Network Supported	4G / 3G	Wifi
Frequency Band	LTE-TDD B34/B38/B39/B40/B41 LTE-FDD B1/B2/B3/B4/B5/B7/B8/B12/B13/ B18/B19/B20/B25/B26/B28/B66 UMTS/HSPA+ B1/B2/B4/B5/B6/B8/B19	N/A
SIM Type	Micro SIM (NOT INCLUDED)	N/A
Alert Functionality	via SMS (up to 3 pre defined numbers) Optional subscription to online dashboard	Subscription to online dashboard only *(No SMS Alerts)
IP Rating	IP67 / NEMA6	IP67 / NEMA6
Dimension	560 x 260 x 90 mm - Antennas included	560 x 260 x 90 mm - Antennas included

*Data option to be enabled on the SIM card used for full functionality
User configuration is required via free software supplied

Data option to be enabled on the SIM card used for full functionality.
User configuration required via free software supplied.

Accessories

Crosby Straightpoint's range of wireless accessories may be used with any Crosby SP wireless loadcells

2



Wireless Overload Alarm Module

Part N°s SP SW-OAM Crosby 2789129

This wireless relay module features audio and visual warning indicators. The set point of the unit can be triggered from a single or summed group of up to four Crosby SP wireless loadcells. It contains two relays (NO and NC). NO is for audio and visual indications, while NC is a spare and can be used to control 230V AC / 30VDC 5A systems.



Wireless Scoreboard Display

Part N°s SP SW-SD Crosby 2789132

This 100mm or 4" scoreboard LED display is wireless and operates between 100-240V AC. The numerals are viewable for up to 45m or 150ft, making it perfect for installation on a crane gantry. The SW-SD displays an individual load in metric tons or summed load of up to four Crosby Straightpoint wireless devices.



Wireless Base Station with Analog Output

Part N°s SP SW-BS Crosby 2789314

The SW-BS provides a configurable analog output for any single or summed group of up to 4 loadcells Crosby Straightpoint wireless loadcell and is ideal for integration to a PC, PLC and other data acquisition. Housed in a IP65 enclosure, the output can be selected from current 4-20mA, 2 relay outputs, RS485 ASCII (Configurable) plus an optional CANbus 2.0A or 2.0B output.



Loadcell Transmitter

Part N°s SP SA700C Crosby 2789097

The SA700C transmitter connects to strain gauge transducers such as loadcells, torque sensors and pressure transducers allowing them to form part of a Crosby Straightpoint wireless system. Load data from the SA700C can be received by multiple receivers that include SW-HHP handheld, INSIGHT software or Crosby SP's range of wireless accessories.



Wall or Cab Mount Bracket

Part N°s SP SU3282 Crosby 2789228

Constructed from stainless steel and fitted with a viewing angle adjusting mechanism, the SU3282 bracket fits either the HHP or SW-HHP handheld displays. Ideal for wall or cab mounting, leaving the operators to work safely and hands-free.



External Amplifier

Part N°s SP SA-3420 Crosby 2789096

The SA-3420 external amplifier allows the operator to convert the output of any of the SP cabled loadcell products into a three wire 4-20mA analog output. The weatherproof enclosure is fitted with stainless steel glands and is suitable for connection to a PLC, data logger, or other instrumentation.



Handheld Rubber Boot

Part N°s SP SU4045 Crosby 2789232

Drop tested to one meter at -30°C, this 70SHA rubber boot is purpose molded to fit and protect the HHP and SW-HHP handheld display against impact, especially when it is used in the harshest industrial environments.

HHP 2



The app records total loads, weights and lifts. This feature is useful when a particular measurement(s) is required for later referral. Added to this is the option to set the threshold and measure productivity for each load cell and the device it's rigged to, a crane, for instance, for analysis to see shortfalls and improve performance.

A peak facility can be activated to display the highest force measured alongside the live load reading of four load cells simultaneously plus a total load.

Once measurements are recorded to the app using the load monitoring project record and data log feature, the operator can export the details. The report will include load, time and date, GPS coordinates and project information to either a mobile device or send it to a particular email address in csv format.

- Connect up to four loadcells simultaneously.
- Set lift threshold and measure productivity per shift.
- View in eight different languages.
- Overload screen flash.
- Alarm latching.
- Set and record overload incidents
- Up to 100m or 328ft remote monitoring distance.
- Multiple weight unit measurement options (kN, metric tons, kg, lbs, custom unit).
- Peak hold and display value alongside live readings.
- Data-log report.
- Export data-log report.
- Zero and gross monitoring options.
- User defined resolution setup.

Up to four Crosby Straightpoint, Bluetooth load cells can be connected and monitored by up to eight smartphones, with the HHP2 app installed. It will enable more than one lifting professional to monitor the loads progress and safety, spotting potential dangers or issues from different vantage points.

The HHP2 app's simple and easy-to-use interface will enable the operator to use the app with the utmost efficiency. There are five different measurement units to choose from - tonnes, lbs, kN, kg and a custom unit.

Handheld Plus



2

- Displays up to 4 loadcells simultaneously.
- Wireless range 1000m or 3280ft (ATEX 500m or 1640ft).
- Low battery warning.
- Signal strength warning.
- Overload counter.
- User settable 90db audible overload alarm.
- Multiple display units (metric tons, lbs, kg, kN).
- 200Hz peak hold.

The Handheld Plus is a rugged and versatile digital handheld display. It has an extensive range of features and is suitable for all Crosby Straightpoint loadcell products.

At the heart of the ergonomically designed Handheld Plus is a powerful PCB, providing industry-leading features such as user selectable units of measure (metric tons, lbs, kg, and kN), programmable audible overload alarm (HHP & SW-HHP), peak hold, pre-set tare, and a user resettable (HHP & SW-HHP) overload counter.

This crucial overload alarm counter is a requirement for many safety and quality control departments because it keeps track of overload events, allowing the loadcell in question to be removed from service immediately, following the calibration voiding overload event. The loadcell in question can then be sent out for proper testing and, if necessary, recalibration before re-entering service.

The HHP is suitable for connection via cable to any Crosby SP cabled loadcell product and easily adapted to any other manufacturers' loadcell product with a mv/v output.

In addition to the standard HHP the SW-HHP is suitable for connection to any Crosby SP wireless loadcell, has a range of up to 1000m/3280ft (ATEX 500m/1640ft) and is supplied as standard with the Radiolink Plus loadcell.

Part Numbers SP	HHP	SW-HHP	SW-HHP ATEX
Crosby	2789030	2789126	2789442
Battery Type	2 x AA	2 x AA	4 x AA Energizer L91
Battery Life	100 hours continuous	40 hours continuous	40 hours continuous
Display Type	240 x 128 pixel Multi-line dot matrix with backlight		
Operating Temp.	-10°C to +50°C / 14°F to 122°F	-10°C to +50°C / 14°F to 122°F	-10°C to +50°C / 14°F to 122°F
Protection	IP65 / NEMA4X		
Excitation	3.3V	N/A	N/A
Max Sensitivity	3mV/V	N/A	N/A
Range	N/A	1000 m / 3,280 ft	500 m / 1,640 ft
Connectivity	6-way female binder 723 socket	Wireless 2.4GHz	Wireless 2.4GHz

Accessories available for the handheld:

Wall or cab mount bracket
Crosby SP part numbers
SU3282 2789228

Rugged rubber boot
Crosby SP part numbers
SU4045 2789232

Also available with hazardous area approval

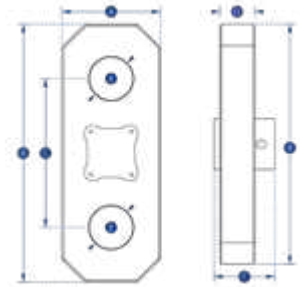
ATEX / IECEx
Ex ia II C T4 Ga
Certification number:
SW-HHP ATEX
IECEx SIR 15.0072X
Sira 15ATEX2196X
When ordering
ATEX/IECEx version of
SW-HHP, order using code:
SW-HHP-ATEX
Please note:
There is no audible alarm with ATEX

Please note:
There is no audible alarm with ATEX

SubseaLink



- Manufactured for use in subsea or submersible projects.
- On board data-logging option.
- Pressure tested to depth of 2000m/6562ft.
- SubConn connector.
- Environmental protection IP68/NEMA6P.
- Output options include mV/V to the Crosby SP Handheld Plus, 4-20mA or 0-10v analog to a PLC, data-logger or The Multi Operation Survey System (MOSS), RS485 or an integral data-logger storing up to one million readings and powered by an internal battery.
- Constructed from 17-4PH stainless steel.
- Designed to fit with The Crosby Group ROV shackles.
- Option for ROV mounting on the SL body itself.



LOAD MONITORING

Part Numbers SP	SL6T5	SL12T	SL25T	SL35T	SL55T	SL85T	SL120T
Crosby	2789352	2789353	2789354	2789355	2789356	2789357	2789358
WLL (te)	6.5	12	25	35	55	85	120
(lb)	14,300	26,000	55,000	77,000	120,000	185,000	260,000
Weight (kg)	7	10	16	22	34	46	67
(lb)	15	23	34	49	75	101	148
Design Factor	5:1						
Output	Options for: mV/V / 4-20mA / 0-10v / RS485 or internal data logger						
Operating Temp.	-10°C to +50°C / 14°F to 122°F						
Accuracy	±0.1% of full scale						
Max depth of use	2,000 meters / 6,562 feet						
Material	17-4 PH Stainless steel						
MTBF to WLL	Typically 50 million cycles						
Elongation	Typically <0.4mm / at WLL						
Dimension A (mm)	95	100	130	150	168	190	220
(in)	3.74	3.94	5.12	5.91	6.69	7.48	8.66
Dimension B (mm)	240	300	350	400	450	490	550
(in)	9.45	11.81	13.78	15.75	17.72	19.29	21.65
Dimension C (mm)	180	200	230	250	260	290	335
(in)	7.09	7.87	9.06	9.84	10.24	11.42	13.19
Dimension D (mm)	25	40	45	50	65	75	86
(in)	0.98	1.57	1.77	1.97	2.56	2.95	3.39
Dimension ØE (mm)	30	40	55	60	75	88	100
(in)	1.18	1.57	2.17	2.36	2.95	3.46	3.94
Dimension F (mm)	73	88	93	98	113	123	134
(in)	2.87	3.46	3.66	3.86	4.45	4.84	5.28
Crosby Shackle	G2140 or G2100 or G2110 ROV shackles						

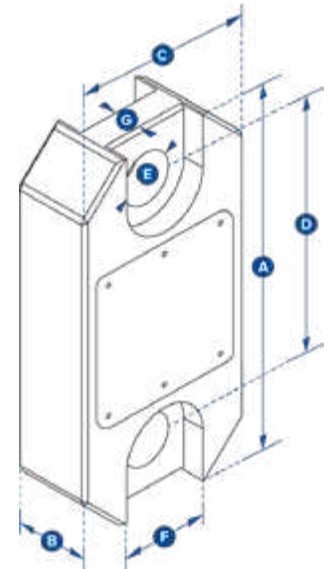
Data-logger Measurement Rate	Days
1 per second	10
1 per 30 seconds	57
1 per minute	729
1 per 2 minutes	1445
1 per 30 minutes	3423
1 per hour	3600
1 per 2 hours	3694
1 per 8 hours	3769

Loadlink Plus



Optional connection to Crosby SP's Handheld Plus part no. HHP 2789459

- Capacity from 1t to 300t.
- Unmatched weight-to-strength ratio.
- 30% lighter than competing dynamometers with the same safety rating.
- Large high resolution 25mm or 1 in LCD display.
- Features full function push button controls for tare, choice of units (lbs, kg, kN, and metric tons), peak hold, preset tare, audible set-point alarm, and an overload counter.
- The highest standard resolution of any digital dynamometer on the market today (5000+ divisions).
- 100Hz peak hold.
- RS-485 serial output.
- 2-year warranty.
- DNV-GL Type Approval.
- Design validated by FEA.
- Complies with ASME B30.26.



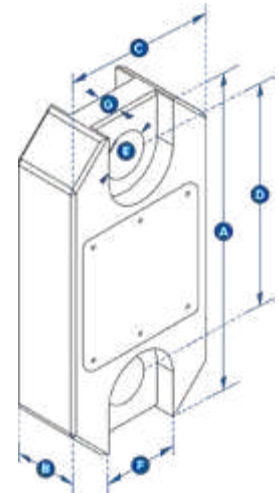
2

Part Numbers SP	LLP1T	LLP2T5	LLP6T5	LLP12T	LLP25T	LLP35T	LLP55T	LLP75T	LLP100T	LLP150T	LLP200T	LLP250T	LLP300T	
Crosby	2789042	2789046	2789050	2789040	2789045	2789048	2789049	2789051	2789039	2789041	2789043	2789044	2789047	
Capacity	(te)	1000 kg	2.5	6.5	12	25	35	55	75	100	150	200	250	300
	(lb)	2,200	5,500	14,300	26,000	55,000	77,000	120,000	165,000	220,000	330,000	440,000	550,000	660,000
Resolution	(te)	0.5kg	0.001	0.001	0.002	0.005	0.005	0.01	0.01	0.05	0.05	0.1	0.1	0.1
	(lb)	1	2	2	5	10	10	20	20	100	100	200	200	200
Units	(metric)	kg						metric tons						
	(imperial)	pounds						pounds						
Weight	(kg)	1.5	1.5	2.4	3.7	5	8.6	13	16	34	46	82	82	118
	(lb)	3.3	3.3	5.3	8.2	11	19	28.7	35.3	75	101.4	180.8	180.8	260
Design Factor		12:1	7:1	7:1	7:1	5:1	5:1	5:1	5:1	5:1	4:1	5:1	4:1	5:1
Battery Type	9v PP3													
Battery Life	80 hours continuous													
Display Type	6 digit 25mm or 1" LCD													
Operating Temp.	-10°C to +50°C / 14°F to 122°F													
Accuracy	±0.1% of full scale													
Protection	IP65 / NEMA4X													
Dimension A	(mm)	204	204	249	305	340	393	424	470	608	670	700	700	806
	(in)	8.03	8.03	9.80	12.01	13.39	15.47	16.69	18.50	23.94	26.38	27.56	27.56	31.73
Dimension B	(mm)	43	43	43	47	60	75	75	75	99	99	144	144	150
	(in)	1.69	1.69	1.69	1.85	2.36	2.95	2.95	2.95	3.90	3.90	5.67	5.67	5.91
Dimension C	(mm)	104	104	113	113	115	126	180	202	255	303	350	350	426
	(in)	4.09	4.09	4.45	4.45	4.53	4.96	7.09	7.95	10.04	11.93	13.78	13.78	16.77
Dimension D	(mm)	146	146	165	193	215	225	230	260	320	360	350	350	350
	(in)	5.75	5.75	6.50	7.60	8.46	8.86	9.06	10.24	12.60	14.17	13.78	13.78	13.78
Dimension ØE	(mm)	24.5	24.5	38	47.5	55	60	76	76	109	109	145	145	160
	(in)	0.96	0.96	1.50	1.87	2.17	2.36	2.99	2.99	4.29	4.29	5.71	5.71	6.30
Dimension F	(mm)	48	48	66	66	66	66	66	66	66	66	66	66	66
	(in)	1.89	1.89	2.60	2.60	2.60	2.60	2.60	2.60	2.60	2.60	2.60	2.60	2.60
Dimension G	(mm)	19	19	32	32	32	32	32	32	32	32	32	32	32
	(in)	0.75	0.75	1.26	1.26	1.26	1.26	1.26	1.26	1.26	1.26	1.26	1.26	1.26
Crosby Shackle	G2130						G2140							
Loading Pin Ø	(mm)	19	19	25	35	51	57	57	70	83	95	121	127	152
	(in)	3/4	3/4	1	1 3/8	2	2 1/4	2 1/4	2 3/4	3 1/4	3 3/4	4 3/4	5	6

Wirelink Plus



- Available in capacities ranging from 1 to 300 metric tons.
- The non-indicating version of Crosby SP's popular Radiolink Plus and Loadlink Plus digital dynamometer tension loadcells.
- Multiple output options to include mV/V, analog out, ASCII, MODBUS RTU, and CAN-BUS.
- Constructed of lightweight, aerospace grade aluminum.
- Available with IP68 environmental protection.
- supplied with a 10-meter cable as standard, however, usable cable length varies greatly with lengths available to 1,500 meters depending on output format.
- Options for subsea use available.
- 2-year warranty.
- DNV-GL Type Approval.
- Complies with ASME B30.26.



Part Numbers SP	WLP1T	WLP2T5	WLP6T5	WLP12T	WLP25T	WLP35T	WLP55T	WLP75T	WLP100T	WLP150T	WLP200T	WLP250T	WLP300T	
Crosby	2789154	2789158	2789273	2789152	2789157	2789160	2789269	2789161	2789151	2789153	2789155	2789156	2789159	
Capacity	(te)	1000 kg	2.5	6.5	12	25	35	55	75	100	150	200	250	300
	(lb)	2,200	5,500	14,300	26,000	55,000	77,000	120,000	165,000	220,000	330,000	440,000	550,000	660,000
Resolution	(te)	0.5 kg	0.001	0.001	0.002	0.005	0.005	0.01	0.01	0.05	0.05	0.1	0.1	0.1
	(lb)	1	2	2	5	10	10	20	20	100	100	200	200	200
Units	(metric)	kg	metric tons											
	(imperial)	pounds	pounds											
Weight	(kg)	1.5	1.5	2.4	3.7	5	8.6	13	16	34	46	82	82	118
	(lb)	3.3	3.3	5.3	8.2	11	19	28.7	35.3	75	101.4	180.8	180.8	260
Design Factor		12:1	7:1	7:1	7:1	5:1	5:1	5:1	5:1	5:1	4:1	5:1	4:1	5:1
Operating Temp.		-10°C to +50°C / 14°F to 122°F												
Accuracy		±0.1% of full scale												
Protection		IP67 / NEMA6												
Dimension A	(mm)	204	204	249	305	340	393	424	470	608	670	700	700	806
	(in)	8.03	8.03	9.80	12.01	13.39	15.47	16.69	18.50	23.94	26.38	27.56	27.56	31.73
Dimension B	(mm)	43	43	43	47	60	75	75	75	99	99	144	144	150
	(in)	1.69	1.69	1.69	1.85	2.36	2.95	2.95	2.95	3.90	3.90	5.67	5.67	5.91
Dimension C	(mm)	104	104	113	113	115	126	180	202	255	303	350	350	426
	(in)	4.09	4.09	4.45	4.45	4.53	4.96	7.09	7.95	10.04	11.93	13.78	13.78	16.77
Dimension D	(mm)	146	146	165	193	215	225	230	260	320	360	350	350	350
	(in)	5.75	5.75	6.50	7.60	8.46	8.86	9.06	10.24	12.60	14.17	13.78	13.78	13.78
Dimension ØE	(mm)	24.5	24.5	38	47.5	55	60	76	76	109	109	145	145	160
	(in)	0.96	0.96	1.50	1.87	2.17	2.36	2.99	2.99	4.29	4.29	5.71	5.71	6.30
Dimension F	(mm)	48	48	65	Not relevant in this capacity									
	(in)	1.89	1.89	2.60	Not relevant in this capacity									
Dimension G	(mm)	19	19	32	Not relevant in this capacity									
	(in)	0.75	0.75	1.26	Not relevant in this capacity									
Crosby Shackle		G2130					G2140							
Loading Pin Ø (mm)	(mm)	19	19	25	35	51	57	57	70	83	95	121	127	152
	(in)	3/4	3/4	1	1 3/8	2	2 1/4	2 1/4	2 3/4	3 1/4	3 3/4	4 3/4	5	6

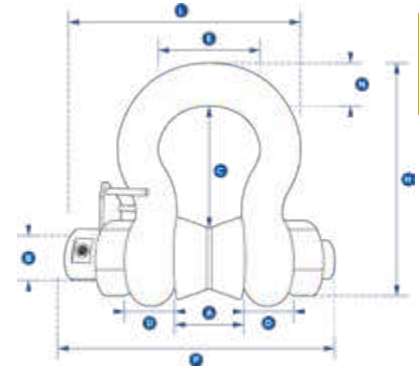
Part Number	Description
ICA1	3 wire 0-10v analogue output
ICA2	3 wire 0-5v analogue output
ICA3	4 wire +/- 10v analogue output
ICA4	3 wire 4-20mA analogue output
ICA5	2 wire 4-20mA analogue output

Loadshackle



Requires connection to Crosby Straightpoint's Handheld Plus (HHP) or External Amplifier range (SA-3420) that can be configured to provide 4-20mA output for PLC or data logger integration.

- Capacities of 3.25t to 400t, as well as being obtainable up to 3000t.
- Compact size, low headroom, lightweight.
- Every Loadshackle is proof tested.
- Utilizes the same advanced microprocessor based electronics as Crosby SP products.
- Unrivalled resolution.
- Environmentally sealed to IP67 or NEMA6.
- Advanced options available for subsea applications.
- Manufactured using Crosby 2130 Carbon and 2140 Alloy Bolt Type Anchor industry leading shackles.
- Configured with output formats to include mV/V, RS-422, RS-485, utilizing the ASCII, MODBUS RTU, and CAN-BUS protocols or supplied with integral amplifier allowing analog outputs such as 4-20mA, 0-10v, 0-5v etc.
- mv/v or analog signal options.
- Design validated by FEA.

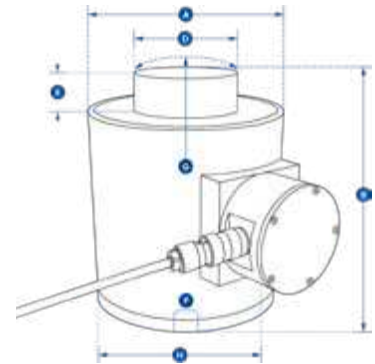


Part Numbers SP	SLB 3.25T	SLB6.5T	SLB12T	SLB25T	SLB55T	SLB85T	SLB120T	SLB200T	SLB300T	SLB400T	
Crosby	2789106	2789111	2789103	2789105	2789110	2789112	2789102	2789104	2789107	2789108	
Capacity	(te)	3.25	6.5	12	25	55	85	120	200	300	400
	(lb)	7,150	14,300	26,400	55,000	120,000	185,000	260,000	440,000	660,000	880,000
Resolution	(te)	0.005	0.005	0.01	0.02	0.05	0.05	0.1	0.2	0.5	0.5
	(lb)	10	10	20	50	100	100	200	200	1000	1000
Units	(metric)	metric tons									
	(imperial)	pounds									
Weight	(kg)	2.8	3.2	8	18	25	85	125	260	405	662
	(lb)	6.16	7	17.6	40	55	187	276	573	893	1459
Design Factor	5:1 when used with load bobbin										
Operating Temp.	-10°C to +50°C / 14°F to 122°F										
Accuracy	±1% of full scale										
Protection	IP67 std [or sub sea as POA option] / NEMA6										
Dimension A	(mm)	26.9	36.6	51.5	73	82.5	127	144	180	205	230
	(in)	1.06	1.44	2.03	2.87	3.25	5.00	5.66	7.09	8.07	9.06
Dimension ØB	(mm)	19.1	25.4	35.1	51	57	83	95	125	150	175
	(in)	0.75	1.00	1.38	2.01	2.24	3.26	3.74	4.92	5.91	6.89
Dimension C	(mm)	56.9	79.7	113	170	189.5	317	364	432.2	505	547.7
	(in)	2.24	3.14	4.45	6.69	7.46	12.48	14.33	17.02	19.88	21.56
Dimension D	(mm)	14.46	20.6	29.5	44.5	51	80	89	110	120	160
	(in)	0.57	0.81	1.16	1.75	2.01	3.14	3.50	4.33	4.72	6.30
Dimension E	(mm)	42.9	58	82.5	127	146	190	238	280	305	325
	(in)	1.69	2.28	3.25	5.00	5.75	7.48	9.37	11.02	12.01	12.80
Dimension H	(mm)	106	148	210	313	348	539	624	769	904	1006.5
	(in)	4.17	5.83	8.27	12.32	13.70	21.22	24.56	30.28	35.59	39.63
Dimension L	(mm)	125	146.5	191	265	296	384	434	519.7	576.7	657.2
	(in)	4.92	5.77	7.52	10.43	11.65	15.11	17.12	20.46	22.7	25.87
Dimension N	(mm)	17.5	24.6	35.1	57	61	85	95	120	140	160
	(in)	0.69	0.97	1.38	2.24	2.40	3.34	3.74	4.72	5.51	6.30
Dimension P	(mm)	140	163	212	280	307	438	478	590	647	755
	(in)	5.51	6.42	8.35	11.02	12.09	17.24	18.81	23.23	25.47	29.72
Crosby Shackles		G2130			G2140			S2135			

Compression Loadcell



- Ranges from 5te to 1000te.
- High grade stainless steel, offering excellent strength and anti-corrosion properties.
- Can be supplied with optional loadcaps.
- Environmentally sealed to IP67 or NEMA6.
- Optional analog outputs.
- Lightweight, compact size.
- 10m or 30ft cable supplied as standard (other lengths available).
- Custom versions available.
- Design validated by FEA.



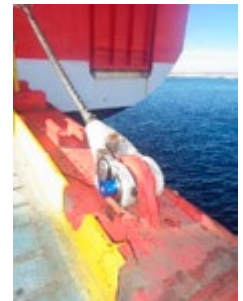
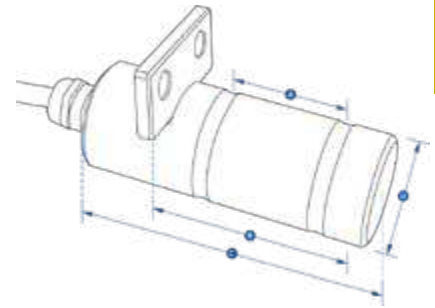
Requires connection to Crosby Straightpoint's Handheld Plus (HHP) or External Amplifier range (SA-3420) that can be configured to provide 4-20mA output for PLC or data logger integration.

Part Numbers SP	NI5TC	NI10TC	NI25TC	NI50TC	NI100TC	NI150TC	NI300TC	NI500TC	NI1000TC	
Crosby	2789068	2789062	2789065	2789067	2789061	2789063	2789064	2789066	2789275	
Capacity	(te)	5	10	25	50	100	150	300	500	1000
	(lb)	11,000	22,000	55,000	110,000	220,000	330,000	660,000	1,100,000	2,200,000
Resolution	(te)	0.001	0.002	0.005	0.01	0.05	0.05	0.1	0.2	0.5
	(lb)	2	5	10	20	100	100	200	500	1000
Units	(metric)	metric tons								
	(imperial)	pounds								
Weight	(kg)	6.2	6.2	6.2	6.2	15.5	15.5	65	65	172
	(lb)	13.64	13.64	13.64	13.64	34	34	143	143	379
Design Factor		3:1								
Operating Temp.		-10°C to +50°C / 14°F to 122°F								
Accuracy		±0.1% of full scale								
Protection		IP67 / NEMA6								
Dimension ØA (mm)		100	100	100	100	152	152	185	185	362
	(in)	3.94	3.94	3.94	3.94	5.98	5.98	7.28	7.28	14.25
Dimension B (mm)		127	127	127	127	184	184	300	300	310
	(in)	5.00	5.00	5.00	5.00	7.24	7.24	11.81	11.81	12.20
Dimension ØD (mm)		59	59	59	59	80	80	155	155	270
	(in)	2.32	2.32	2.32	2.32	3.15	3.15	6.10	6.10	10.63
Dimension E (mm)		16	16	16	16	26	26	27.5	27.5	40
	(in)	0.63	0.63	0.63	0.51	1.02	1.02	1.08	1.08	1.57
Dimension F (mm)		M18 x 2.5	M18 x 2.5	M18 x 2.5	M20 x 2.5	M20 x 2.5	M20 x 2.5	M20 x 2.5	M20 x 2.5	M30 x 3.5
	(mm)	M18 x 2.5	M18 x 2.5	M18 x 2.5	M20 x 2.5	M20 x 2.5	M20 x 2.5	M20 x 2.5	M20 x 2.5	M30 x 3.5
Dimension G (mm)		152	152	152	152	432	432	432	432	950
	(in)	5.98	5.98	5.98	5.98	17.01	17.01	17.01	17.01	37.40
Dimension H (mm)		158	158	158	158	204	204	237	237	416
	(in)	6.22	6.22	6.22	6.22	8.03	8.03	9.33	9.33	16.38

Loadpin



- Designed for use in applications where an end of line loadcell cannot be used, meaning an integrated solution is required.
- High tensile stainless steel.
- Supplied complete with an anti-rotation plate as a cabled or wireless solution.
- Built to withstand the harshest environments in industries such as marine and offshore oil and gas.
- Suitable for use in exposed situations and can also be supplied to withstand immersion in seawater at extreme depths.
- Supplied with a 10 meter or 32ft cable as standard, however, usable cable length varies greatly with lengths available to 1500 meters or 4900ft, depending on output format.
- Include mV/V, RS-485, utilizing the ASCII, MODBUS RTU and CAN-BUS protocols or an analog output such as 4-20mA for PLC integration.
- Design validated by FEA.



Also available with hazardous area approval. Zones 0, 1 & 2

ATEX / IECEx
Ex ia II C T4 Ga

Certification numbers:
LP ATEX
IECEX SIR 16.0041X/Sira 15ATEX2108X
SIR-WSP ATEX
IECEX SIR 15.0072X/Sira 15ATEX2196X

Add ATEX to the part number when ordering ATEX/IECEX products.
For example: LP500KG-ATEX

Note: Please advise cable configuration on order – Radial or axial pin exit. If you require a Loadpin to a particular size and design, download Crosby Straightpoint's Loadpin questionnaire and return, POA. thecrosbygroup.com/loadpin



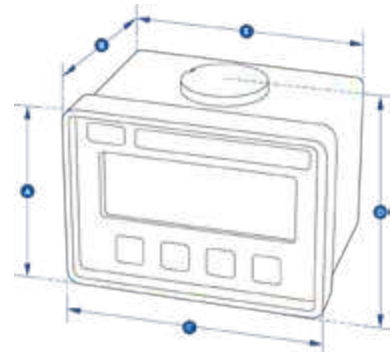
Requires connection to Crosby Straightpoint's Handheld Plus (HHP) or External Amplifier range (SA-3420) that can be configured to provide 4-20mA output for PLC or data logger integration.

Part Numbers SP	LP500kg	LP1T	LP2.5T	LP3.5T	LP6.5T	LP15T	LP25T	LP50T	LP100T	LP250T	LP500T	LP750T	LP1000T	LP1500T
Crosby	2789276	2789277	2789278	2789279	2789280	2789281	2789282	2789283	2789284	2789285	2789286	2789287	2789288	2789289
Capacity (te)	500 kg	1000 kg	2.5	3.5	6.5	15	25	50	100	250	500	750	1000	1500
(lb)	1,100	2,200	5,500	7,700	14,000	33,000	55,000	110,000	220,000	550,000	1,100,000	1,650,000	2,200,000	3,300,000
Resolution (te)	0.2 kg	0.5 kg	0.001	0.001	0.002	0.002	0.005	0.01	0.05	0.1	0.2	0.2	0.5	0.5
(lb)	0.5	1	2	2	5	5	10	20	100	200	500	500	1000	1000
Units (metric)	kilograms, metric tons													
(imperial)	pounds													
Weight (kg)	0.9	1	1.2	1.4	2	3.1	5.6	8.6	11.8	29.8	79.2	146	275	389
(lb)	0.4	0.5	0.9	1.3	2.6	5	10.3	18	24	64	172	319	603	854
Design Factor	3:1													
Operating Temp.	-10°C to +50°C / 14°F to 122°F													
Accuracy	±1% of full scale													
Protection	IP67 [IP68 available as an option]													
	NEMA6 [NEMA6P available on application]													
Dim. A (mm)	24	35	45	50	63	75	89	102	110	130	225	295	360	430
(in)	0.94	1.38	1.77	1.97	2.48	2.95	3.50	4.02	4.33	5.12	8.86	11.61	14.17	16.93
Dim. B (mm)	36	49	70	75	95	114	152	178	190	220	370	500	612	731
(in)	1.42	1.93	2.76	2.95	3.74	4.49	5.98	7.01	7.48	8.66	14.57	19.69	24.09	28.78
Dim. C (mm)	70	80	100	105	125	150	195	225	230	300	440	590	712	832
(in)	2.76	3.15	3.94	4.13	4.92	5.91	7.68	8.86	9.06	11.81	17.32	23.23	28.03	32.76
Dim. ØD (mm)	20	20	25	30	40	50	63	75	88	125	170	200	250	275
(in)	0.79	0.79	0.98	1.18	1.57	1.97	2.48	2.95	3.46	4.92	6.69	7.87	9.84	10.83

Loadblock Plus



- The highest standard resolution of any self-indicating compression loadcell on the market today (5000+ divisions).
- Low capacity, self-indicating compression loadcell.
- Large 25mm or 1 in LCD display.
- 100Hz peak hold.
- Compact size.
- Push button tare.
- Preset tare.
- Peak hold.
- RS485 port for connection to data-logging system allowing remote viewing.
- Audible set-point alarm and an overload counter.
- Selectable units te, lbs, kN, kg.



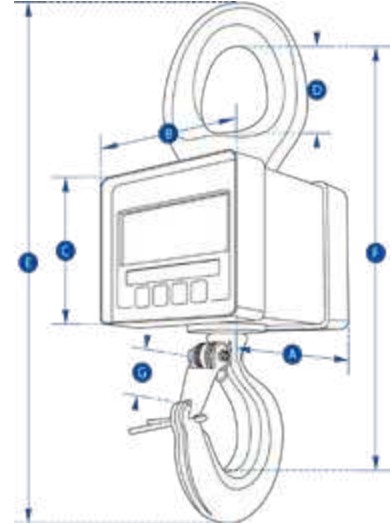
Part Numbers SP	LBP250KG	LBP500KG	LBP1T	LBP2T	LBP5T
Crosby	2789035	2789037	2789034	2789036	2789038
Capacity (te)	250 kg	500 kg	1	2	5
(lb)	550	1100	2200	4400	11000
Resolution (te)	0.1 kg	0.2 kg	0.0005	0.001	0.001
(lb)	0.2	0.5	1	2	2
Units (metric)	metric tons, kilograms, kilonewtons and pounds				
(imperial)	pounds, metric tons, kilonewtons and kilograms				
Weight (kg)	0.9	0.9	0.9	1.5	3.1
(lb)	2	2	2	3.3	6.8
Design Factor	4:1	5:1	5:1	5:1	5:1
Battery Type	9v PP3				
Battery Life	80 hours continuous				
Display Type	6 digit 25mm LCD or 6 digit 1" LCD				
Operating Temp.	-10°C to 50°C / 14°F to 122°F				
Accuracy	±0.1% of full scale				
Protection	IP65 / NEMA4X				
Dimension A (mm)	81	81	81	92	92
(in)	3.19	3.19	3.19	3.62	3.62
Dimension B (mm)	81	81	81	117	136
(in)	3.19	3.19	3.19	4.61	5.35
Dimension C (mm)	113	113	113	112	112
(in)	4.45	4.45	4.45	4.41	4.41
Dimension D (mm)	90	90	90	104	115
(in)	3.54	3.54	3.54	4.09	4.53
Dimension E (mm)	104	104	104		
(in)	4.09	4.09	4.09	Not available in this capacity	

Miniweigher Plus



- Compact size and lightweight.
- Capacities from 100kg to 5t.
- Large 25mm or 1 in LCD display.
- High accuracy.
- Selectable Units te, lbs, kN, kg.
- Highest resolution of any compact digital crane scale on the market.
- Peak hold.
- Preset tare.
- Overload counter.
- 90dB audible set point alarm.
- RS-485 serial output.
- Corrosion-resistant finish.

Optional connection to Crosby SP's Handheld Plus – Crosby SP Part Nos. HHP 2789459.



2

Part Numbers SP	MWP100KG	MWP250KG	MWP500KG	MWP1T	MWP2T	MWP5T
Crosby	2789055	2789057	2789059	2789056	2789058	2789060
Capacity (kg)	100	250	500	1000	2 t	5 t
(lb)	220	550	1100	2200	4400	11000
Resolution (kg)	0.05	0.1	0.2	0.5	0.001 t	0.001 t
(lb)	0.1	0.2	0.5	1	2	2
Units (metric)	metric tons, kilograms, kilonewtons and pounds					
Weight (kg)	1.5	1.5	1.5	1.5	3.1	8.7
(lb)	3.3	3.3	3.3	3.3	6.8	19.2
Design Factor	10:1	5:1	5:1	5:1	5:1	5:1
Battery Type	9v PP3					
Battery Life	80 hours continuous					
Display Type	6 digit 25mm LCD or 6 digit 1in LCD					
Operating Temp.	-10°C to +50°C / 14°F to 122°F					
Accuracy	±0.1% of full scale					
Protection	IP65 / NEMA4X					
Dimension A (mm)	81	81	81	81	117	136
(in)	3.19	3.19	3.19	3.19	4.61	5.35
Dimension B (mm)	112	112	112	112	112	112
(in)	4.41	4.41	4.41	4.41	4.41	4.41
Dimension C (mm)	81	81	81	81	92	92
(in)	3.19	3.19	3.19	3.19	3.62	3.62
Dimension D (mm)	33	33	33	33	43	62
(in)	1.30	1.30	1.30	1.30	1.69	2.44
Dimension E (mm)	222	222	222	222	283	349
(in)	8.74	8.74	8.74	8.74	11.14	13.74
Dimension F (mm)	183	183	183	183	238	286
(in)	7.20	7.20	7.20	7.20	9.37	11.26
Dimension G (mm)	22	22	22	22	28	42
(in)	0.87	0.87	0.87	0.87	1.10	1.65