

# KITO

Improve Work Efficiency!  
Variable speed for ultimate load control

## Electric Chain Hoist Stepless Speed ER2 Series

Infinitely variable speed control



### Capacity range from 125 kg to 5 t

#### > Variable speed control functions

High performance speed control for the KITO ER2 dual speed inverter type and a special push button control

#### > Operation advantages

The further the operator depresses the push button, the faster the hoist lifts or lowers

#### > Maximum lifting speed range

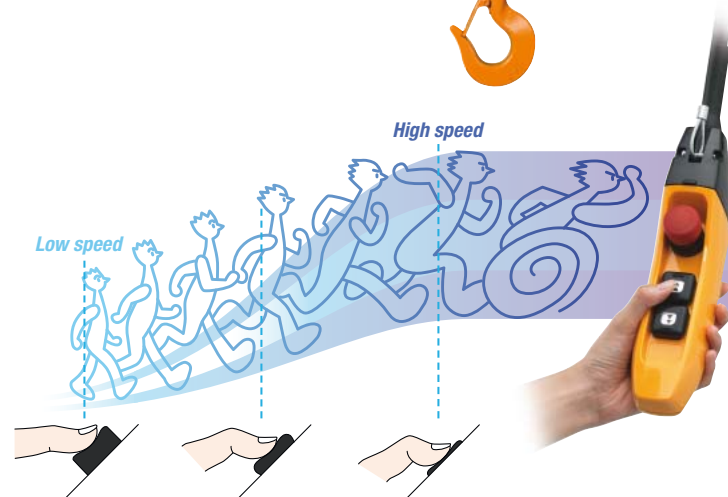
Acceleration and deceleration is infinitely variable from 16.7 % to 100 % of maximum lifting speed

#### > Maintenance of speed at any point

Maximum control of the load enabling safe and efficient hoisting operations

#### > Consistent speed control function

Variable speed features in both the lifting and lowering direction



### Specifications

#### Stepless speed control

Rated capacity	125 kg to 5 t
Function	The speed can change smoothly from High speed to Low speed in proportion to the depression of the push button.
Speed range	Up to a speed ratio of 1 (high speed): 1/6 (low speed)
Push button stroke	Approx. 6.5 mm
Hoist suspension	Hook, lug or trolley

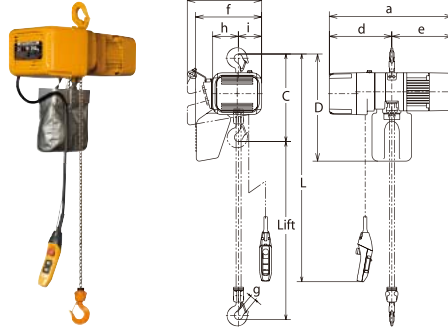
**Made in Japan!**

[www.kito.net](http://www.kito.net)



# ER2 Dual Speed

## With Hook Suspension



- Available with manually operated or motorized trolleys
- Ideal for galvanizing or dipping operations

### Specifications

Capacity (t)	Product Code	Hoist Body	Standard Lift (m)	Push Button Cord L (m)	Lifting Motor		Lifting Speed (m/min)		Load Chain		Classification ISO/FEM/ASME	Test Load (t)	Net Weight (kg)	Additional Weight per 1m Lift (kg)		
					Output (kw)	Rating (%ED)	50 Hz		Diameter (mm)	Chain Falls						
							High	Low								
0.125	ER2-001IH	B			0.56		Preset	16.6	2.8	4.3	x	1	M6/3m/H4	0.156	27	0.42
							Adjustable	10.8	1.4							
0.25	ER2-003IS	B			0.9		Preset	15.7	1.8	6	x	1	M6/3m/H4	0.313	36	
							Adjustable	4.5	0.8							
0.5	ER2-005IL	C			0.56		Preset	8.5	1.3	7.7	x	1	M5/2m/H4	0.625	32	0.81
							Adjustable	4.2	0.7							
1	ER2-010IL	D	3	2.5	0.9	40/20	Preset	8.2	1.4	10.2	x	1	M5/2m/H4	1.25	45	1.33
							Adjustable	5.3	0.4							
1.6	ER2-016IS	E			1.8		Preset	8.2	1.4	11.2	x	1	M4/1Am/H4	2	72	
							Adjustable	4.3	0.7							
2	ER2-020IL	E					Preset	8.2	1.4	10.2	x	2		2.5	73	2.3
							Adjustable	6.6	0.6							
2.5	ER2-025IS	F			3.5		Preset	5.2	0.9	11.2	x	2		3.13	100	2.8
							Adjustable	5.2	0.4							
3.2	ER2-032IS	E			2.8		Preset	3.3	0.6	11.2	x	2		4	105	4.7
							Adjustable	3.3	0.3							
5	ER2-050IS	F					Preset							6.25	125	5.6
							Adjustable									

### Dimensions (mm)

Capacity (t)	Product Code	Headroom C	D	a (MFC)	b	d (MFC)	e (MFC)	f	g	h	i
0.125	ER2-001IH	350	430	535 (564)	345	276 (305)	259	284	27	99	117
0.25	ER2-003IS	370	490	571 (598)	348	300 (325)	271 (273)	283	27	113	106
0.5	ER2-005IS	430	550	568 (593)	376	316 (332)	298 (300)	335	31	129	118
1	ER2-010IS	510	630	614 (632)	427	372 (397)	338 (340)	384.5	39	160.5	137.5
1.6	ER2-016IS	575	630	710 (737)	445	401 (427)	399	437.5	44	216	82
2	ER2-020IS	625	840	767 (782)	427	411 (426)	356	397	47	231.5	84.5
2.5	ER2-025IS	785	920	800 (826)	445	401 (427)	399	439	47	231.5	84.5
3.2	ER2-032IS	850	920	767 (782)	427	411 (426)	356	397	44	216	82
5	ER2-050IS	850	920	800 (826)	445	401 (427)	399	439	47	231.5	84.5

# KITO

**Kito Europe GmbH**  
 Heerdter Lohweg 93  
 D-40549 Düsseldorf  
 Tel. +49 (0) 211-52 80 09-0  
 Fax +49 (0) 211-52 80 09-59  
 info@kito.net  
 www.kito.net

Distributed by: