

**KITO**

# Manual Chain Hoist SHB Model

Up to 10t

**With Geared Trolley**  
Short Headroom Trolley Hoist



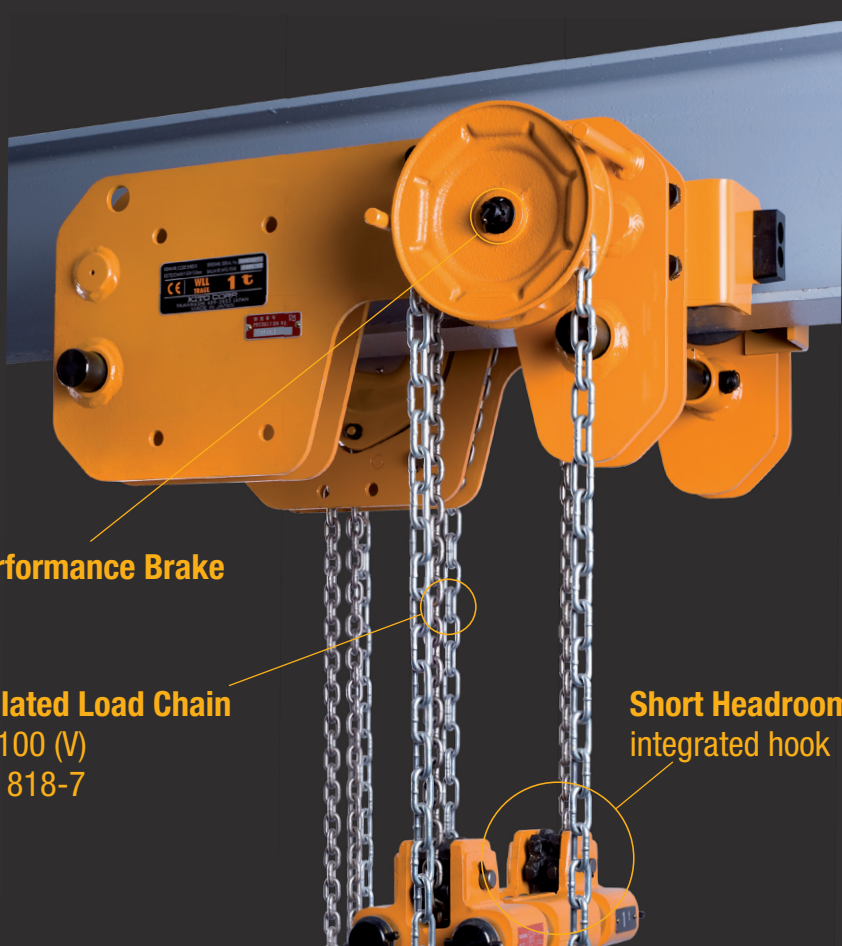
- > Shock resistant gear case
- > Minimized manual effort due to efficient drive train
- > Highly accurate gear
- > Double enclosures protect against dust and water

**Made in Japan!**

[www.kito.net](http://www.kito.net)

Kito Europe GmbH  
 Heerdter Lohweg 93  
 D-40549 Düsseldorf  
 Tel. + 49 (0) 211 - 52 80 09 - 0  
 Fax + 49 (0) 211 - 52 80 09 - 59  
 info@kito.net  
 www.kito.net

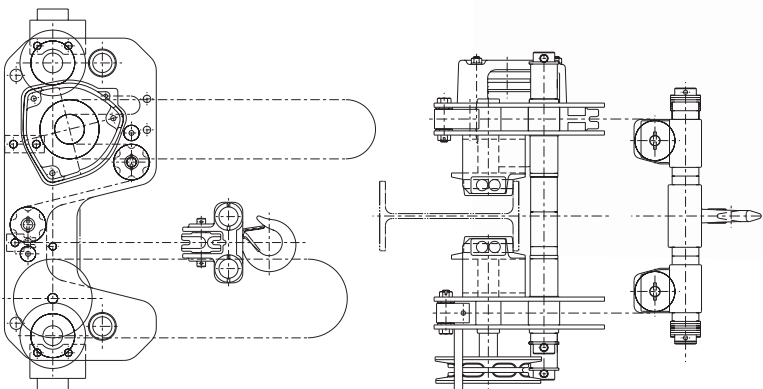
**KITO HEBEZEUGE**  
 Mit Sicherheit das Original



**High-Performance Brake**

**Nickel-plated Load Chain**  
 Grade G 100 (V)  
 Norm EN 818-7

**Short Headroom integrated hook**



**Technical Data**

Type	SHB010	SHB020	SHB030	SHB050	SHB075	SHB100	
Maximum capacity (kg)	1000	2000	3000	5000	7500	10000	
Standard lift (m)	3,0	3,0	3,0	3,0	3,5	3,5	
Length of folded handchain (m)	3,0	3,0	3,0	3,5	4,0	4,0	
Pull to lift load (daN) – Chain Hoist	31,4	28,4	36,3	44,1	45,0	47,0	
Pull at full load (daN) – Trolley	3,2	2,9	3,7	4,5	3,6	4,8	
Flange width (mm)	Standard	58-163	82-204	82-204	125-204	150-220	150-220
	W 30	164-305	205-305	205-305	205-305	221-305	221-305
Load chain diameter (mm)	5,0 x 15,1	7,1 x 21,2	8,0 x 24,2	9,0 x 27,2	9,0 x 27,2	9,0 x 27,2	
Chain falls	2	2	2	2	4	4	
Net weight (kg)	67,0	110,0	160,0	280,0	366,0	366,0	
Weight for additional 1m lift (kg)	3,0	4,2	4,6	5,4	10,8	10,8	
Headroom C (mm)	115	145	165	195	255	255	

Exclusion of liability  
 KITO will not be held liable for any malfunction, lack of performance or accident if the product is being used in conjunction with any unauthorized part, or not in accordance with the operating instructions. Please take note of our owners manual. All specifications herein are subject to change without notice.

Contact  
 Kito Europe GmbH / Heerdter Lohweg 93 / D-40549 Düsseldorf  
 Tel. +49 (0) 211 / 52 80 09 - 0 / Fax +49 (0) 211 / 52 80 09 - 59  
 info@kito.net / www.kito.net